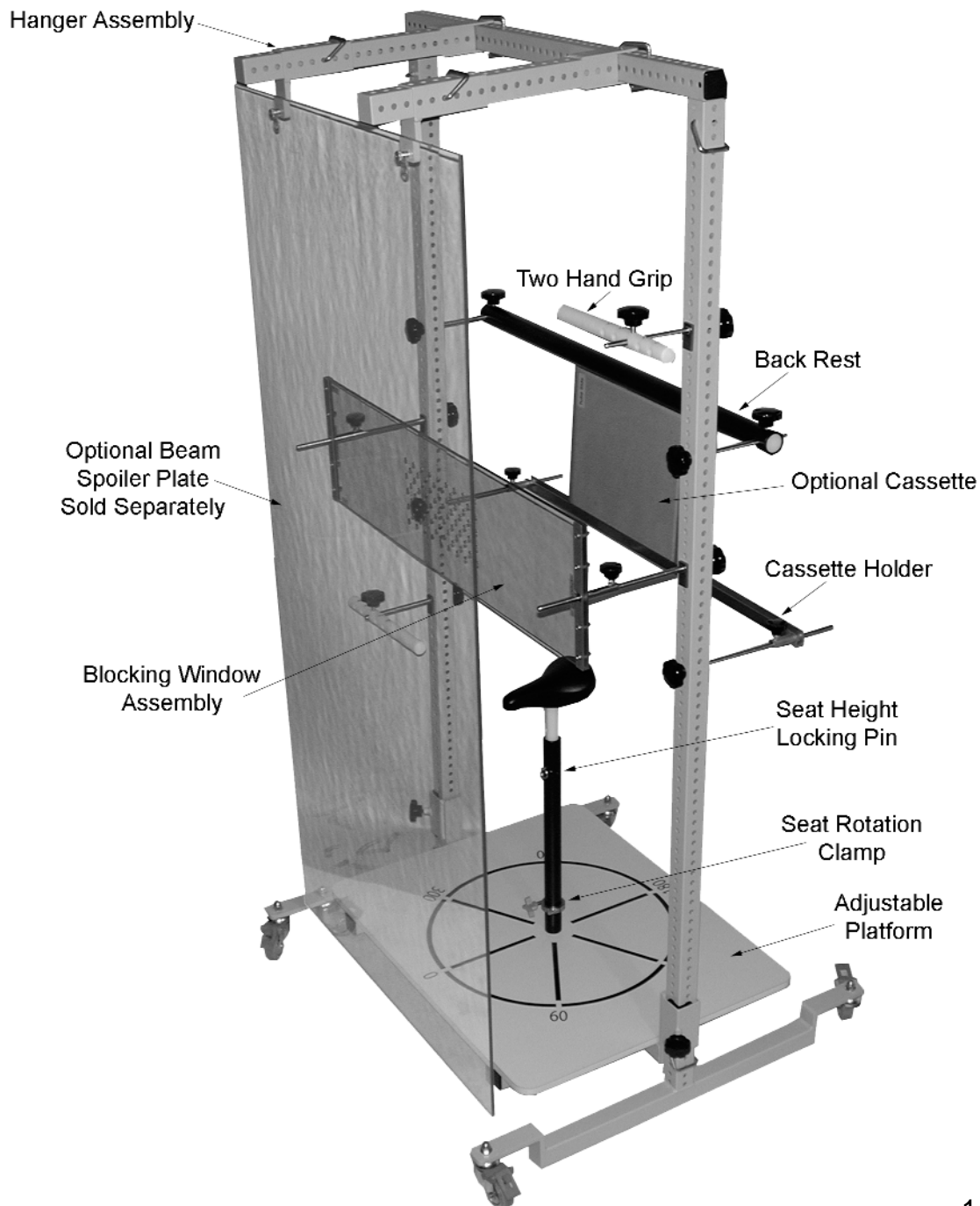




# Radiation Products Design, Inc.

## Total Body Irradiation Stand- Photons/Electrons Item 495-600



5218 Barthel Industrial Drive N.E. - Albertville, MN 55301  
Phone: 763-497-2071 / 800-497-2071 Fax: 763-497-2295  
www.rpdinc.com e-mail: sales@rpdinc.com



# Radiation Products Design, Inc.

## The TBI Stand includes the following:

### Parent Item 495-600 Total Body Irradiation Stand- Photons or Electrons

Quantity	Component #	Description
2	495-600-01	Assembly, Caster Leg
1	495-600-10	Assembly, Platform Support
1	495-600-09	Top Brace
4	71-TL092EG	Lock Pin for 1" - 1 3/4" Sq. Tube
1	495-600-20	Assembly, Seat with Short Post, 26" to 32"
1	495-600-25	Assembly, Seat With Long Post, 32" to 38"
1	495-600-40	Blocking Window Assembly
1	495-600-45	Plate, Block Pouring
10	69-902	.062" +/- .001 Dia. x .500" +/- .010 Tungsten Rods
1	495-600-50	Cassette Holder Assembly
4	495-600-75	Assembly, Long Support Rod with Knob 13.5"
1	495-600-55	Back Rest Assembly
2	495-600-60	Handle with Knob
4	495-600-70	Assembly, Short Support Rod with Knob 7.5"
20	13-106	Plug, Round for 7/16" Hole, White Nylon
8	10-032	Knob, Fluted Black Phenolic 2 3/8" Dia. 3/8-16" 1/2" dia
4	10-034	Knob, Fluted Black Phenolic 2 3/8" Dia. 3/8-16 x 1"
4	10-035	Knob, Fluted Black Phenolic 1 3/4" Dia. 3/8-16 x 3/4"
2	10-036	Knob, Fluted Black Phenolic 2 3/8" Dia. 3/8-16 x 2"
1	03-727	Label, RPD Address Model & S.N. - Black on Silver
1	INFO 495-600-A	INFO Sheet / Total Body Irradiation Stand - Inst.

### Optional Beam Spoiler Plate

1	495-600-83	Plate, Spoiler- 3/8" Acrylic, Density 1.185g/cm <sup>3</sup>
1	495-600-84	Plate, Spoiler- 3/8" Polycarbonate, Density 1.2g/cm <sup>3</sup>
1	495-600-85	Plate, Spoiler- 1/2" Acrylic, Density 1.185g/cm <sup>3</sup>
1	495-600-86	Plate, Spoiler- 1/2" Polycarbonate, Density 1.2g/cm <sup>3</sup>
2	495-600-80	Beam Spoiler Hanger Assembly
4	71-TL094EG	Lock Pin for 2" - 2 1/2" Sq. Tube

## TBI Stand Dimensions

**Overall Size:** 43 1/2" W x 42" D x 92 1/2" H

**Base Size:** 39" W x 30 1/2" D

**Polycarbonate Block Holder (Stand):** 43" W x 12" H x 1 cm T.

**Polycarbonate Block Tray (Blockroom):** 13" W x 12" H x 1 cm T

2 of 6

**5218 Barthel Industrial Drive N.E. - Albertville, MN 55301**

**Phone: 763-497-2071 / 800-497-2071 Fax: 763-497-2295**

**www.rpdinc.com**

**e-mail: sales@rpdinc.com**



# Radiation Products Design, Inc.

## Parts Listing Item # 495-600 Total Body Irradiation Shield- Photons or Electrons

### \* Spoiler Plate (P) Sold Separately

Item #	Description
495-600-83	3/8" Acrylic, Density 1.185g/cm <sup>3</sup>
495-600-84	3/8" Polycarbonate, Density 1.2g/cm <sup>3</sup>
495-600-85	1/2" Acrylic, Density 1.185g/cm <sup>3</sup>
495-600-86	1/2" Polycarbonate, Density 1.2g/cm <sup>3</sup>

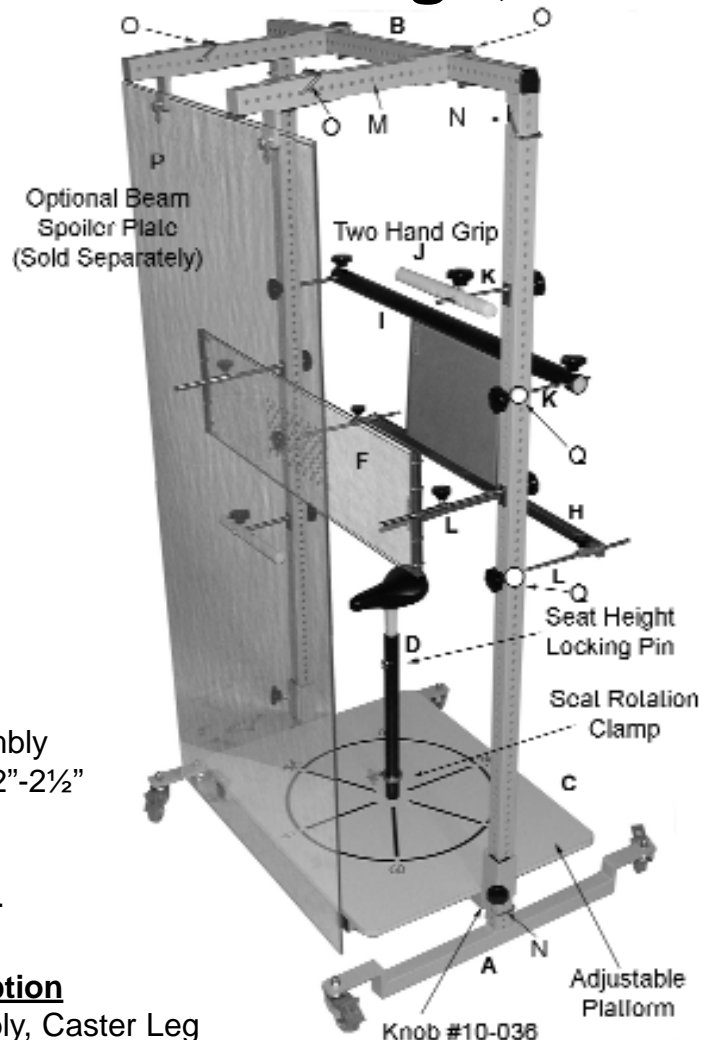
### Spoiler Plate Assembly Supplied with:

Qty.	Item #	Tab	Description
2	495-600-80	M	Beam Spoiler Hanger Assembly
4	71-TL094EG	O	Lock pins for 2"-2 1/2" sq. tube

\*\*Shown with Cassette (Sold Separately)

Call for more information on available cassettes.

Qty.	Item #	Tab	Description
2	495-600-01	A	Assembly, Caster Leg
1	495-600-09	B	Top Brace
1	495-600-10	C	Assembly, Platform Support
1	495-600-20	D	Assembly, Sm. Seat with Short Post 26" to 32"
1	495-600-25	Not shown	Assembly, Long Seat Post Long 32" to 38"
1	495-600-40	F	Blocking Window Assembly
1	495-600-45	Not shown	Plate, Block Pouring (not shown)
1	495-600-50	H	Cassette Holder Rail Assembly
1	495-600-55	I	Back Rest Bar Assembly
2	495-600-60	J	Handle with Knob
4	495-600-70	K	Assembly, Short Support Rod with Knob
4	495-600-75	L	Assembly, Long Support Rod with Knob
4	71-TL092EG	N	Lock Pin for 1" - 1 3/4" Sq. Tube
20	13-106	Q	Plug, Round White Nylon ( 7/16" Hole)
10	69-902	Not shown	Tungsten Rod 0.062" +/- .001 Dia. x .500" +/- .010

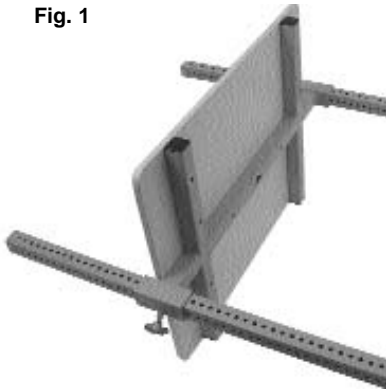




# Radiation Products Design, Inc.

## Assembly Instructions for Item 495-600 and 495-602

Fig. 1



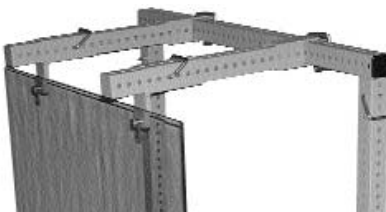
1. Lay two "T" legs with casters on the floor.
2. Hold platform assembly vertically with zero on platform toward the floor.
3. Remove tape securing locking clamp from inside of post holes. Lay locking clamp against corner with knob.
4. Slide "T" post through post hole in platform assembly. Check that locking clamp is in corner with knob.
5. Repeat for second "T" post.
6. Slide platform to bottom of post. Lock in place by tightening knobs.

Fig. 2



1. Inset top brace into the top of the "T" posts and secure with short pins (71-TL092EG).
2. Slide platform to bottom of posts. Lock in place by tightening knobs.
3. Lock the four casters.
4. Lift stand into vertical position.

### Optional Beam Spoiler Assembly



1. Zero on platform is the front of the stand.
2. Install two Beam Spoiler posts spaced at 22" apart on the front side of the top brace using the long lock pins (71-TL094EG).
3. Slide two adjustable Beam Spoiler hangers over the spoiler posts. Use the long lock pins (71-TL094EG).
4. Hang spoiler plate over shoulder bolts using the keyhole slots.



# Radiation Products Design, Inc.

## Instructions for use of TBI Stand Item 495-600

1. Determine the position of the base by the patient's height and isocenter. Adjust base to the desired position by raising the base, tightening the knob, move locking pins under the base, loosen knobs, lower base to rest on pins, then tighten knobs again. Following this order will prevent any possible dropping of the base while patient is on the base.
2. Determine which seat post is needed by the patient's leg inseam, short post 26" to 32", long post 32" to 38". Put the locking clamp on the plastic post to be used. Insert the plastic post assembly into the hole in the base.
3. Insert the seat into the plastic post.
4. Raise the seat until it is in the correct patient leg inseam height position. Insert the locking pin. Rotate seat for proper seat direction, then tighten the locking clamp at the bottom of post so there is no turning motion of the seat.
5. Determine the vertical position for the handles. Insert a short rod into a post hole and tighten with the knob. Handle length is determined by the hole used to slide over the rod and the handle location on the rod is indicated by a letter. A white nylon plug (#13-106) can be inserted in the hole on the upright tube and numbered for a different position as the patient is rotated.
6. If using the polycarbonate block holder, determine the vertical position needed. Insert a long rod and tighten with the knobs. Slide the support bar onto the rods to the desired position and tighten the knobs. Record letter position. The polycarbonate tray has 4 removable tungsten pins for block placement and reference when taking port films.
7. When taking a film, determine the vertical position needed. Insert long rods and tighten with the knobs. Slide the film cassette holder onto the rods to the desired position and tighten the knobs.
8. Also included with the TBI Stand is an polycarbonate block tray for use in the blockroom. This tray has 4 small alignment holes and the same hole pattern as the stand block holder. This block tray is used when pouring the blocks, then a direct transfer can be made to the stand block holder.
9. The back rest assembly can be used to give the patient something to lean their back against. This helps the patient not to move the upper body back and forth. If using the back rest assembly, determine the vertical position. Insert short rods and tighten with the knobs.

5 of 6

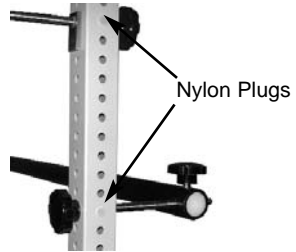
**5218 Barthel Industrial Drive N.E. - Albertville, MN 55301**  
**Phone: 763-497-2071 / 800-497-2071 Fax: 763-497-2295**  
**www.rpdinc.com e-mail: sales@rpdinc.com**



# Radiation Products Design, Inc.

**10.** The white nylon plugs (#13-106) are used to mark the vertical post position of the rods. The plugs are placed in the lateral holes of the vertical post.

(They can be marked with a Sharpie pen - C = Cassette, H = Handle, B = Block Holder, S = Support Bar)



**12.** Field isodose curves can be produced by taping numbered ready-pack films to the wall, numbering wall locations and marking crosshairs, then exposing to radiation. Read the film and mark isodose 90% , 80% on film. Transfer isodose lines to film jacket and mount back on the wall. Tape a mylar sheet with crosshairs to a plain treatment tray. Turn on collimator light and rotate gantry till cross hairs align with crosshair marks on ready-pack. Transfer wall film isodose lines to mylar sheet.

**11. Optional:** Beam Spoiler with adjustable hangers.  
This will allow the spoiler to be moved away from the patient.