

RADIATION SHIELDS, CARRIERS, SAFES & L-BLOCKS

FIXED ROLLING RADIATION SHIELDS

The Fixed Rolling Radiation Shields have a 1" thick sheet lead which will reduce the dose from a cesium source by over 90%. The shield is mounted on a base that has four 6" diameter swivel, locking, ball bearing casters which provide easy mobility. The shield also has handles on each end and side.



964-040
to
964-055

Specifications for Item 964-040 through 964-055

Lead Size: 36" W x 24" H x 1" T

Base Height: 10 1/2"

Casters: Four 6" dia. swivel locking ball bearing

Finish: Durable tan textured polyurethane enamel paint

Weight: 480 lbs to 500 lbs

Interlocks to form corner with Bed End Shield (Item 965-000)



958-058

958-000

Specifications for Item 958-000

Lead Size: 36" W x 30" H x 1" T

Overall Size: 40" W x 48" H x 24" D

Lead Mounted: 18" from floor

Base Height: 10 1/2"

Casters: Four 6" dia. swivel locking ball bearing

Finish: Durable tan textured polyurethane enamel paint

Weight: 575 lbs

Specifications for Item 958-058

Lead Size: 30" W x 36" H x 1" T

Overall Size: 34" W x 58" H x 30" D

Lead Mounted: 22" from floor

Base Height: 10 1/2"

Casters: Four 6" dia. swivel locking ball bearing

Finish: Durable tan textured polyurethane enamel paint

Weight: 575 lbs



959-000

Specifications for Item 959-000

Lead Size: 36" W x 48" H x 1" T

Overall Size: 40" W x 72" H x 34" D

Lead Mounted: 24" from floor

Base Height: 10 1/2"

Casters: Four 6" dia. swivel locking ball bearing

Finish: Durable tan textured polyurethane enamel paint

Weight: 900 lbs

Item #	Description	Overall Size
964-040	Fixed Rolling Radiation Shield	40" W x 40" H x 24" D
964-042	Fixed Rolling Radiation Shield	40" W x 42" H x 24" D
964-045	Fixed Rolling Radiation Shield	40" W x 45" H x 24" D
964-048	Fixed Rolling Radiation Shield	40" W x 48" H x 24" D
964-055	Fixed Rolling Radiation Shield	40" W x 55" H x 30" D
958-000	Fixed Rolling Radiation Shield	40" W x 48" H x 24" D
958-058	Fixed Rolling Radiation Shield	34" W x 58" H x 30" D
959-000	Fixed Rolling Radiation Shield	40" W x 72" H x 34" D
964-930	Optional Lead Filled Vertical Posts	

S

RADIATION SHIELDS, CARRIERS, SAFES & L-BLOCKS

ROLLING BED END SHIELD

The Bed End Shield is capable of interlocking with all other Radiation Shields to form a corner. Handles on both sides and ends allow for easier handling.



Specifications

Lead Size: 42" W x 36" H x 1" T

Overall Size: 46" W x 56" H x 30" D

Lead Mounted: 20" from floor

Base Height: 13"

Casters: Four 6" dia. swivel locking ball bearing

Finish: Durable tan textured polyurethane enamel paint

Weight: 800 lbs

Item #	Description
965-000	Bed End Shield

ADJUSTABLE HEIGHT ROLLING RADIATION SHIELD



Specifications

Lead Size: 36" W x 24" H x 1" T

Overall Size: 42 1/2" W x 24" D

Base Height: 10 1/2"

Casters: Four 6" dia. swivel locking ball bearing

Finish: Durable tan textured polyurethane enamel paint

Weight: 500 lbs

Item #	Description
960-024	Adjustable Height Rolling Radiation Shield - Height Adj. 36" to 45"
960-030	Adjustable Height Rolling Radiation Shield - Height Adj. 39" to 48"

- Only adjustable shield with 36" W x 24" H lead
- Easy-to-adjust

The Adjustable Lead Shield can be moved over a 9" height range by using a screw jack. The jack is operated by a hand crank or a flat blade (both included) for a 3/8" Drill. The shield is set in a metal frame and mounted on a base with four 6" diameter swivel, locking, ball bearing casters that provide easy mobility.

ADJUSTABLE PATIENT LOADING SHIELD

Afterloading or Intravascular

The Adjustable Patient Loading Shield provides complete protection to the head and torso. It rolls easily into position on four 6" diameter swivel, locking, ball bearing casters. The shield (16" wide x 34" high x 1" thick) can be adjusted over a 10" range from a shield height of 54 1/2" to 64 1/2".

Specifications

Lead Glass Size: 8" sq. x 2" T

Lead Glass Density: 5.2 g/cm³

Lead Size: 16" W x 34" H x 1" T

Overall Size: 19" W x 24 1/2" D

Height Adjustment: 54 1/2" to 64 1/2" H

Base Height: 10 1/2"

Casters: Four 6" dia. swivel locking ball bearing.

Finish: Durable tan textured polyurethane enamel paint

Weight: 250 lbs



Item #	Description
960-300	Adjustable Patient Loading Shield

RADIATION SHIELDS, CARRIERS, SAFES & L-BLOCKS

INTRAVASCULAR SHIELDS



Item 996-800

Item 996-800 - Fixed Height

Lead Size: 60" W x 36" H x 5/8" T

Overall Size: 64" W x 70" H x 35" D

Shield Height: 32" from the floor

Casters: Four 6" dia. swivel, locking, ball bearing

Finish: Durable tan textured polyurethane enamel paint

Weight: 800 lbs

Item #	Description
996-800	60" Wide Intravascular Shield



Item 996-810

Item 996-810 - Fixed Height

Lead Size: 48" W x 36" H x 5/8" T

Overall Size: 52" W x 70" H x 35" D

Shield Height: 32" from the floor

Casters: Four 6" dia. swivel, locking, ball bearing

Finish: Durable tan textured polyurethane enamel paint

Weight: 500 lbs

Item #	Description
996-810	48" Wide Intravascular Shield



Item 996-820

The adjustable height shield is built with a 9" range of movement. When ordering the adjustable shield, specify the height range of the lead shielding needed (ie: 61" - 70" - keep in mind the lead shield is 36" high and add 4" for framework). A screw jack moves the shield. The jack is operated by a hand crank or a flat blade (both included) for a 3/8" drill.

Item 996-820 - Adjustable Height

Lead Size: 48" W x 36" H x 5/8" T

Overall Size: 52" W x 35" D - height will vary

Height Adjustment Range: 9"

Casters: Four 6" dia. swivel, locking, ball bearing

Finish: Durable tan textured polyurethane enamel paint

Weight: 500 lbs

Item #	Description
996-820	Adjustable 48" Wide Intravascular Shield

SHIELD STEP



The Shield Step can be attached to the base of the radiation shield with four screws. The width of the shield step is 9" and has a 6" wide anti-skid material. When ordering please specify the item number of the shield that the step will be attached to.

Item #	Description
964-900	Shield Step 39 1/2" Long
960-900	Shield Step 38" Long

Custom Sizes Available

CUSTOM SHIELDS AVAILABLE UPON REQUEST

RADIATION SHIELDS, CARRIERS, SAFES & L-BLOCKS

OVER BED RADIATION SHIELD

- Provides radiation protection to patients in the room above necessary if the ceiling construction is thin



The portable Over Bed Radiation Shield is made of 1" lead covered with stainless steel and mounted on a steel plate which is welded to the top of a tubular steel frame. Wheel extensions on the base provide extra stability when moving.

Lead Size: 24" sq. x 1" T
Overall Size: 24" W x 50 1/2" H x 40 1/2" D
Top of Shield: Covered with 16 ga. stainless steel
Top Frame Height: 47"
Bottom Frame Height: 10 1/2"
Inside Depth: 34"
Casters: Four 6" dia. swivel, locking, ball bearing
Finish: Durable tan textured polyurethane enamel paint
Weight: 380 lbs

Item #	Description
957-000	Over Bed Radiation Shield

OVER AND UNDER BED RADIATION SHIELD



Item 957-020

Lead Size: Two 24" sq. x 1" T
Overall Size: 28" W x 46 3/4" H x 40" D
Floor to Top of Over Shield: 46 3/4"
Floor to Bottom of Over Shield: 44 3/4"
Floor to Top of Under Shield: 9 1/4"
Floor to Bottom of Under Shield: 7 1/2"
Inside Depth: 34"
Casters: Four 6" swivel locking ball bearing
Finish: Durable tan textured polyurethane enamel paint
Weight: 620 lbs

Item 957-022

Lead Size: Two 24" sq. x 1" T
Overall Size: 28" W x 43" H x 40" D
Floor to Top of Over Shield: 43"
Floor to Bottom of Over Shield: 41"
Floor to Top of Under Shield: 5 1/2"
Floor to Bottom of Under Shield: 3 3/4"
Inside Depth: 34"
Casters: Four 2 1/2" swivel
Finish: Durable tan textured polyurethane enamel paint
Weight: 610 lbs

Item #	Description
957-020	Over and Under Bed Radiation Shield - 6" Casters
957-022	Over and Under Bed Radiation Shield - 2 1/2" Casters

- Provides radiation protection to patients in rooms above and below
- Necessary if the ceiling and floor construction is thin

The portable Over and Under Bed Radiation Shield, has a top and bottom shield. Each shield is made of 1" lead covered with 16 ga. steel and mounted on a steel plate which is welded to the tubular steel frame.

RADIATION SHIELDS, CARRIERS, SAFES & L-BLOCKS

UNDER BED RADIATION SHIELDS



- Provides radiation protection to patients in room below, necessary if the floor construction is thin
- Lead shield is raised and lowered by using ratchet wrench
- Shield is adjustable from 9" to 25"

The portable, adjustable Under Bed Radiation Shield is made of 1" lead covered with stainless steel and is mounted on a steel plate which is welded to the top of a scissors jack. The scissors jack is screw operated to prevent any decrease in height during treatment. Outrigger type wheel extensions on the base provide extra stability when moving. The shield raises and lowers with any 1/2" square drive ratchet wrench (not included).



Lead Size: 24" sq. x 1" T
Height Adjustment: 9" to 25"
Top of shield: Covered with 16 ga. stainless steel
Casters: Four swivel rubber
Weight: 350 lbs

Item #	Description
956-000	Under Bed Radiation Shield
956-500	10" Ratchet with 2 1/2" Extension

UNDER BED RADIATION SHIELD



Lead: 36"sq. lead covered with steel mounted on 1/4" steel plate

Overall Size: 36" W x 36" L x 5 1/2" H

Casters: Two 4" dia. swivel, locking and two 4" dia. locking

Stay Anywhere Handle

Finish: Durable tan textured polyurethane enamel paint

Weight: 330 lbs



Item #	Description	Lead Size
956-036	Under Bed Radiation Shield	36" sq. x 1/2" T
956-038	Under Bed Radiation Shield	36" sq. x 1" T

RADIATION SHIELDS, CARRIERS, SAFES & L-BLOCKS

HEYMAN OR IRIDIUM PIG CART



The Heyman Cart is designed to accommodate the Heyman Carrier (Item 948-020) and the Side Opening Carrier (Item 949-200) or any 4" diameter or square pig. The two 8" diameter ball bearing wheels and one 3" diameter swivel, locking, ball bearing caster facilitate easy mobility of the cart. A 36" long friction held "Stay Anywhere Handle" permits easy towing. The optional Removable Paper and Forceps Holder has a slot for paperwork and 2 forceps.

Specifications

Base Size: 9" W x 13 1/2" L

Finish: Durable tan textured polyurethane enamel paint

Weight: 20 lbs

Item #	Description
949-260	Heyman or Iridium Pig Cart Double Hole
949-262	Optional Removable Paper and Forceps Holder

S

FLETCHER / HEYMAN CARRIER SYSTEM



Radiation Exposure

The radiation level at 1 meter from the side of the carrier is 5mR/hr when loaded with 100 mg Ra-eq Cesium 137. There are high radiation levels at the top and a high overall exposure when the core is lifted. See the Low Dose Carrier System for lower exposure levels.



948-030



948-032

The sealed stainless steel Heyman Carrier has a 2.1" inside diameter x 12 3/4" usable depth. The lead protection on the sides and the bottom of the inner tube is 2 cm thick. A drop-in cover with a knob, has 2.5 cm lead. A leather strap handle is used for lifting the unit into a cart. The Heyman Carrier can be used with Heyman or Iridium Pig Cart (Item 949-260) or the 1" Lead Shielded Cart (Item 949-310).

Specifications

Shielded Height: 13.4 cm

Overall Size: 4" dia. x 16 1/8" H

Weight: 27 lbs.

Item 948-030 the unshielded stainless steel Heyman Core holds 12 Heyman capsules. The core is made of 12 separate tubes marked A - L, that are 8 mm diameter and 27 cm deep. There is a 1 1/8" handle on the top

Item 948-032 the unshielded stainless steel Fletcher-Suit-Delclos Core has three holes each 1.4 cm dia. x 12 cm deep. The core holds two afterloading bucket carriers and one plastic tandem afterloader.

Both cores can be used with the Heyman Stainless Steel Lead Carrier (Item 948-020).

Item #	Description
948-020	Heyman Carrier

Item #	Description
948-030	Heyman Core for 12 Heyman Capsules
948-032	Fletcher-Suit-Delclos Core

S - 6

RADIATION SHIELDS, CARRIERS, SAFES & L-BLOCKS

DOT RADIATION SOURCE CONTAINER AND CART



The Department of Transportation (DOT) Radiation Source Container holds 7 radiation sources (3 mm x 21 mm) in a lockable steel container with 2" thick lead and 1/4" thick steel walls. The top screws onto the bottom. It can all be transported in the cart. The two 8" diameter ball bearing wheels and one 3" diameter swivel, locking, ball bearing caster facilitate easy mobility of the cart. The cart has a "Stay Anywhere Handle" that is friction held at any position which permits easy towing. This unit can be transported in trunk, if using a van, the unit must be secured with a strap through the container handle.

Specifications

Dimensions: 5 1/2" dia. x 5 1/2" H

Cart Size: 9 1/2" W x 13" L

Finish: Durable tan textured polyurethane enamel paint

Container Weight: 50 lbs

Cart Weight: 16 lbs

Item #	Description
952-007	DOT Container and Cart
Optional Paper/Forceps Carrier Available Upon Request	

S

DOT RADIATION SOURCE TRANSPORTER



The Department of Transportation (DOT) Radiation Source Transporter has a stainless steel center tube that measures 2.1" inside diameter and 13 7/8" deep which will accommodate the FSD Leaded Core (Item 949-215). The lockable steel container has 2 1/2" thick lead and 1/4" thick steel outside walls. The two 12" diameter roller bearing rear wheels and one 6" diameter front swivel, locking, ball bearing caster facilitate easy mobility of the transporter. The DOT radiation source transporter is used to transport bucket carriers and tandems to a remote hospital/clinic by van with a wheelchair lift. The unit must be secured inside a van with nylon straps thru securing ring at rear of container. This cart has the "Stay Anywhere Handle" that is friction held at any position.

Note: The unit is not complete without FSD Leaded Core.

Specifications

Dimensions: 7" dia. x 16 3/8" H

Finish: Durable tan textured polyurethane enamel paint

Weight: 350 lbs

Item #	Description
952-010	DOT Transporter
949-215	FSD Leaded Core
Optional Paper/Forceps Carrier Available Upon Request	

S - 7

RADIATION SHIELDS, CARRIERS, SAFES & L-BLOCKS

DOT SOURCE TRANSPORT PIG FOR NINE (9) CS-137 SOURCES

Rental Only



The DOT Source Transport Pig for Nine (9) Cesium-137 Sources provides for safe temporary storage and transport of up to nine (9) Cesium-137 tube sources. The set consists of a pail with a cover and handle for carrying, foam insert, stainless steel container and cap, lead pig with nine holes for sources and a lead cap. Item 067-650 is for rental only. Rental time is 30 days.

Specifications

Pig Cap: 37 mm Lead

Pig Sides: 35 mm Lead

Pig Bottom: 30 mm Lead

Hole Size: 3.17 mm Diameter x 1.65 mm

Stainless Steel Container: 29 mm bottom

Weight: 35 lbs (16 kg)

Item	Description
067-650	DOT Source Transport Pig, RENTAL ONLY

HDR CART - 1" PB, FOR RELOADING CONTAINER



The HDR Cart is designed to store HDR Source Buckets upon arrival to the department before loading into the HDR System. The four walls of the cart have a 1" (2.54 cm) lead thickness. The bottom of the cart and the cover have no lead shielding. The cart has two chrome handles on the sides and the cover has one handle. The bottom of the cart sits 1" (2.54 cm) above the floor. The container is welded to two support bars for the casters. It has four locking swivel casters for ease of moving.

Specifications

Frame Dimensions: 22.74" W x 32.27" L (57.8 x 81.9 cm)
excludes caster extension

Outside Container Dimensions: 18.74" x 18.74" x 18" H
(47.6 x 47.6 x 45.7 cm)

Inside Container Dimensions: 16" x 16" x 18" H
(40.6 x 40.6 x 45.7 cm)

Wall thickness: 1" (2.54 cm) lead

Wall Material: Steel and lead

Casters: Four 6" diameter (15 cm) swivel and locking

Finish: Durable tan textured polyurethane enamel paint

Weight: 734 lb (334 kg)

Item	Description
950-095	HDR Cart - 1" Pb, for Reloading Container

LOW DOSE CARRIER SYSTEM

SIDE OPENING CARRIER

Stainless Steel With Lock



Easy access is provided with the side opening feature. This reduces the dose rate received because the inner core does not have to be raised to remove the source carriers. This unit provides 6" high x 3/4" thick lead shielding around the sides and 1" on the bottom. The top is shielded with 2 1/8" diameter x 1 1/8" thick lead. All lead is sealed in stainless steel for fire protection. A lock is furnished with the unit. This unit will fit in the Lead Shielded Cart (Item 949-310) or Heyman Iridium Pig Cart (Item 949-260).

Specifications

Inside Dimensions: 2 1/8" dia. x 12 1/2" H

Overall Size: 4" dia. x 15 1/4" H

Weight: 39 lbs

Item #	Description
949-200	Side Opening Carrier

FSD LEADED CORE



This lead filled stainless steel core holds four afterloading bucket carriers and two tandems. Radiation streaming from the top is minimal. The FSD Leaded Core can be used with the Side Opening Carrier (Item 949-200) and the Lead Shielded Cart (Item 949-310).

Specifications

Base Size: 2" dia. x 6" H

Overall Height: 12 1/2"

Weight: 6 lbs

Item #	Description
949-215	FSD Leaded Core

NEEDLE RACK CORE



The lead filled core holds twelve needles. The core holes have an inside diameter of 0.125" (3.1 mm) and a depth of 4.5" (114 mm). The Needle Rack Core can be used with the Side Opening Carrier (Item 949-200) and the Lead Shielded Cart (Item 949-310).

Specifications

Base Size: 2" dia. x 5 1/4" H

Overall Height: 12 1/2"

Weight: 6 3/4 lbs

Item #	Description
949-230	Needle Rack Core

RADIATION SHIELDS, CARRIERS, SAFES & L-BLOCKS

LOW DOSE CARRIER SYSTEM (CONTINUED)

Radiation Survey Around Cesium 137 Source Carrier and Cart

Cesium Sources	Nominal Strength	Actual mg Ra-eq	Core in Carrier Lateral	Carrier in 1" Lead Cart		
				Lateral	Handle 45° Angle	1 Meter Above
Ovoid and Tandem						
2	20 mg	35.0 mg	3.2 mR/hr	0.1 mR/hr	0.2 mR/hr	Carrier with 6.0 - Open Door 0.4 - Closed Door
3	20-10-10 mg	<u>17.5-7.5-7.5</u> 67.5 Total				
Heyman						
5	10 mg	52.0 mg	2.5 mR/hr	0.1 mR/hr	0.1 mR/hr	0.6 - Open Door
Ovoid, Tandem and Heyman						
2	20 mg	35.0 mg	5.0 mR/hr	0.2 mR/hr	0.2 mR/hr	6.5 - Open Door 0.4 - Closed Door
3	20-10-10 mg	17.5-7.5-7.5				
5	10 mg	<u>52.0</u> 119.5 Total				

Core: Minimum 1/4" Lead Plus Steel

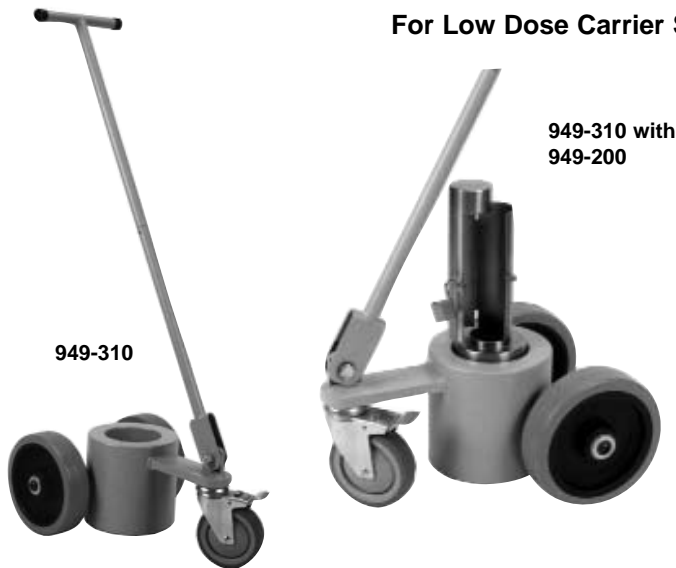
Source Carrier: Minimum 3/4" Lead Plus 1/8" Stainless Steel

Cart: Minimum 1" Lead Plus 3/8" Steel

SS

S

LEAD SHIELDED CART For Low Dose Carrier System or Nuclear Medicine



LEAD COVER

The 1" Lead Cover is constructed of steel and shielded with 1" thick lead. The inside is stainless steel and the steel/nickel chromed handle provides easy handling. The Lead Cover will fit snugly over the Lead Shielded Cart (Item 949-310).

Specifications

Dimensions: 7 1/4" dia.

Finish: Durable tan textured polyurethane enamel paint

Weight: 20 lbs

This Lead Shielded Cart can carry the Side Opening Carrier (Item 949-200). The radiation exposure to the body and hands is very low. The cart is constructed of steel and shielded with 1" thick lead. It has two 8" diameter roller bearing rear wheels, one 5" diameter swivel, locking, ball bearing caster and a 36" long "Stay Anywhere Handle" that is friction held at any position. An optional removable paper and forceps holders attaches to the cart on the rear axle.

Radioactive materials for Nuclear Medicine can be transported in this cart using the lead cover (Item 949-311) and drop in container (Item 949-330).

Specifications

Inside Dimensions: 4 1/2" dia. x 5 3/4" D

Finish: Durable tan textured polyurethane enamel paint

Weight: 83 lbs.

DROP IN CONTAINER

This 24 gauge stainless steel container with handle fits into the Lead Shielded Cart (Item 949-310). It can be cleaned easily.

Specifications

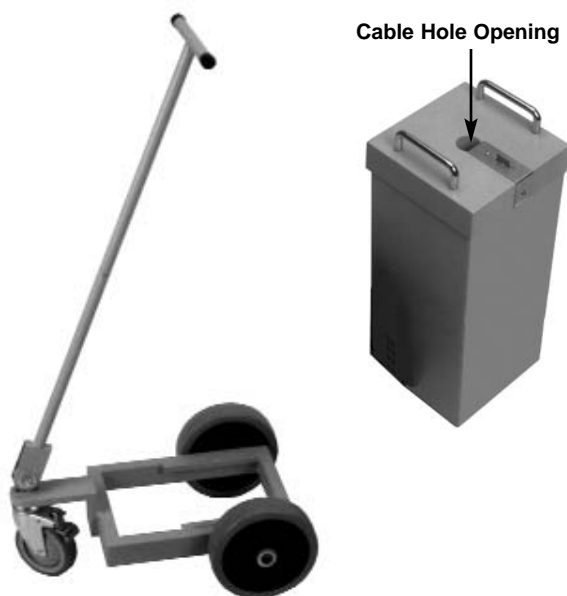
Inside Dimensions: 4 1/8" dia. x 5 5/8" D

Item #	Description
949-310	Lead Shielded Cart
949-311	Lead Cover
949-312	Paper Forceps Holder for 949-310
949-330	Drop-In Container

S - 11

RADIATION SHIELDS, CARRIERS, SAFES & L-BLOCKS

HDR EMERGENCY CONTAINER AND CART



The HDR Container is used to hold remote radiation applicator if a problem occurs. The steel container is filled with 1" thick lead and has a removable 18 gauge stainless steel liner with a handle for easy cleaning. The liner measures 4 3/4" sq. x 11 1/2" high. The cover is 1" thick lead filled steel with a chrome handle and stainless steel inside surface. The container has a steel lip on the sides to set in the transport cart.

The cart is made of tubular steel and has two 8" diameter roller bearing wheels and a 5" diameter front swivel, locking, ball bearing caster. The cart has a "Stay Anywhere Handle" which is friction held at any position and allows for easy steering and pulling.

Note: The depth and cable opening in the cover is made to customers specifications. When ordering please specify depth and cable opening size, name of contact person and phone number.

Item #	Description
950-050	HDR Emergency Container
950-060	HDR Transportation Cart
950-101	Paper/Forceps Holder

HDR EMERGENCY CONTAINER



The HDR Emergency Container is used to hold a remote applicator if a problem occurs. This container has 1 1/2" thick lead shielding on all sides. All walls are made of welded steel plate, sealed and filled with lead. A removable 18 gauge stainless steel container with handle fits inside which can be easily removed and cleaned. The cover is 1 1/2" thick with a slot for the cables. A drop-in lead plug fills the slot after the cable has been installed. The two 12" diameter roller bearing rear wheels and a 6" diameter front swivel, locking, ball bearing caster will roll easily on all floors. The "Stay Anywhere Handle" which is friction held in any position and allows for easy steering and pulling.

Specifications

Item 950-070

Inside Dimensions: 4 7/8" Sq. x 17" D

Cable Hole: 1" dia. Hole

Weight: 507 lbs

Item 950-071

Inside Dimensions: 4 7/8" Sq. x 13 1/8" D

Cable Hole: 1 1/2" dia. Hole

Weight: 436 lbs

Finish: Durable Tan Textured Polyurethane Enamel Paint

Item #	Description
950-070	HDR Emergency Container - 1" Dia. Cable Hole
950-071	HDR Emergency Container - 1 1/2" Dia. Cable Hole
949-312	Paper/Forceps Holder

RADIATION SHIELDS, CARRIERS, SAFES & L-BLOCKS

TRANSPORT CART AND CONTAINER

1" Thick Lead Shielded Container



The Transport Cart can accommodate the double pig holder and the 1" shielded container at the same time. The steel pig holder is 3 1/2" deep and divided to accommodate 2 Iridium pigs or Heyman carriers up to 4 1/16" diameter. The large steel container is shielded with 1" thick lead, and has a removable stainless steel liner with a handle.

The cover is 1" thick lead covered with steel, the inside surface is stainless steel and it has a chrome handle.

The heavy duty cart is constructed of steel tubing and 1/2" thick steel bar. There are 2 - 8" diameter roller bearing wheels and 1 - 5" diameter swivel, locking, ball bearing front caster to allow easy mobility. The "Stay Anywhere Handle" is friction held at any position.

A paper/forceps holder clips onto the rear of the cart frame and holds 2 forceps and a chart or paper work. The pig holder, shielded container, and paper/forceps holder are all removable from the cart.

The following are included with this item:

- Pig Holder with two holes each 4 1/8" x 4 1/8" x 3" deep
- 1" Thick lead shielded container and cover
- Removable 18 gauge stainless steel liner with handle (Size: 4 3/4" square x 11 1/2" high)
- Cart with handle
- Paper/forceps carrier

Specifications

Finish: Durable tan textured polyurethane enamel paint

Weight: 260 lbs

Item #	Description
950-100	Transport Cart with 1" Lead Container

TRANSPORT CART AND CONTAINER

With 2" Thick Lead, Sliding Cover and Removable Liner



The bottom and sides of the steel container are made of 2" thick lead walls. The sliding 2" thick lead cover (64 lbs.) has a security lock. The steel container has a removable 18 gauge stainless steel liner for easy cleaning. The liner dimensions are 4" sq. x 5 7/8" deep, and the container dimensions are 4 1/2" sq. x 6" deep.

The cart is made of tubular welded steel with 3/4" axles. There are 2 - 10" diameter rear ball bearing wheels and 1 - 5" diameter swivel, locking, ball bearing front caster for easy mobility. The cart has the friction held "Stay Anywhere Handle".

Specifications

Floor Clearance: 1"

Load Capacity: 300 lbs

Finish: Durable tan textured polyurethane enamel paint

Weight: 290 lbs

Item #	Description
950-200	Transport Cart with 2" Lead Container
950-101	Paper/Forceps Holder

Custom Sizes Available

RADIATION SHIELDS, CARRIERS, SAFES & L-BLOCKS

RADIOACTIVE MATERIAL CONTAINER AND CART

With 1/2" Lead Walls



Shown with
Optional Foam Insert

The Cart is made of a tubular welded steel frame with 3/4" (1.9 cm) axles. The "Stay Anywhere Handle" is friction held in any position. Two 10" (25.4 cm) diameter ball bearing wheels and one 5" (12.7 cm) diameter front swivel, locking, ball bearing caster make for easy mobility.

An optional foam insert is available for the 950-000 Cart. The foam insert is made of polyethylene foam and is 7" (17.78 cm) high with four 4" (10.16 cm) diameter x 6" (15.24 cm) deep cutouts.

Specifications

Lead: 1/2" T (1.27 cm)

Dimensions: 18 1/2" W x 26" L x 16" H (47 x 66 x 40.5 cm)

Floor Clearance: 1" (2.54 cm)

Finish: Durable tan textured polyurethane enamel paint

Weight: 280 lb (127.3 kg)

Item	Description
950-000	Radioactive Material Container with Liner and Cart
950-001	Foam Insert Bottle Holder for 950-000 Cart
950-101	Paper/Forceps Holder

The outside of the radiation container is 1/8" (0.32 cm) welded stainless steel. The 1 1/2" (3.8 cm) thick steel chrome plated doors are overlapping, and have heavy duty hinges. The inside and bottom are lined with 1/2" (1.27 cm) thick lead. It is made to be easily cleaned with a removable 16 gauge stainless steel inner liner. The inside dimensions are 10 1/8" W x 11 5/8" L x 10 3/4" D (25.72 x 29.53 x 27.31 cm). The container comes with a security lock.

RECTANGULAR LEAD AND STEEL WALL CONTAINERS



Note: Lead is exposed, therefore, this container **will not** meet the Fire Protection Standards or DOT (Department of Transportation) requirements.

Specifications

Item 951-100

Lead Walls: 1" T

Inside Dimensions: 6" sq. x 8" H

Weight: 175 lbs

Item 951-200

Lead Walls: 2" T

Inside Dimensions: 4" sq. x 6" H

Weight: 262 lbs

Finish: Durable tan textured polyurethane enamel paint

Item #	Description
951-051	Stainless Steel Liner for 1/2" Lead Container
951-100	1" Lead Container
951-101	Stainless Steel Liner for 1" Lead Container
951-200	2" Lead Container
951-201	Stainless Steel Liner for 2" Lead Container
951-058	Cart for All Lead Containers (22 lbs.)
950-101	Paper/Forceps Holder

The Rectangular Lead and Steel Wall Containers are designed for the storage and shipment of radioactive materials. The outside dimensions for all of the containers are 8" square x 11", but they differ in thickness of lead shielding. The choice should depend on quantity and quality of radioactive material to be stored. The removable stainless steel liner is optional. All containers have 2 side handles. The hinged cover may be locked with a padlock. There is a handle on the lead shielded lid.

The cart is a tubular welded steel frame and has a support plate for the container and 3/4" axles. There are 2 - 10" ball bearing wheels and a 5" diameter swivel, locking, ball bearing front caster for easy mobility. The cart has the friction held "Stay Anywhere Handle".

RADIATION SHIELDS, CARRIERS, SAFES & L-BLOCKS

HDR EMERGENCY SHIELD FOR VARISOURCE



The HDR Emergency Shield was designed to shield the VariSource HDR system in the case of source retraction failure. The HDR Emergency shield can be rolled into position with the shield in front and covering the top of the VariSource. This will allow the Physicist or therapist protection from exposure while moving the VariSource to a corner of the room in an emergency situation. The patient can then be removed from the room.

The top, front and both sides of the shield are 1" (2.54 cm) lead covered with steel and painted. The vertical supports in the front are lead filled so there is no corner leakage. The bottom of the lead shield is 15.6" (39.6 cm) from the floor. The depth of the side shielding at the bottom of the shield is 8.5" (21.6 cm) and 20.5" (52.1 cm) at the top of the shield. The angled supports provide bracing for the shield.

The shield has one handle in the front and two on the sides with all three located in a shield area. The four casters also facilitate easy movement and the locks assure the shield stays in place.



Specifications

Overall Dimensions: 26.7" W x 32" D x 47" H
(67.8 x 81.3 x 119.4 cm) excluding casters

Lead Thickness: 1" (2.54 cm) Lead

Casters: Four 6" (15.24 cm) diameter swivel locking ball bearing

Finish: Durable tan textured polyurethane enamel paint

Weight: 898 lb (409 kg)

Item	Description
950-080	HDR Emergency Shield f/ VariSource

LEAD STORAGE CONTAINER FOR HDR



The Lead Storage Container for HDR has a 2" thick (5.08 cm) lead wall and is designed to store the source end of an HDR cable if there is a problem with the retracting system. This container can be easily moved in the cart which has 2" diameter (5.08 cm) swivel casters. The container wall and lid are made of 2" thick (5.08 cm) lead, and the container has an inside diameter of 1" (2.54 cm) and a depth of 10" (25.4 cm).

Optional: The "Stay Anywhere" Handle can be welded to the base plate of Item 994-071. The "Stay Anywhere Handle" is friction held in any position and allows for easy steering and pulling.

Specifications

Inside Dimensions: 1" Dia x 10" Deep (2.54 x 25.4 cm)

Cart Dimensions: 10" Square (25.4 cm)

Lead Wall: 2" Thick (5.08 cm)

Swivel Casters: 2" Dia (5.08 cm)

Finish: Durable tan textured polyurethane enamel paint

Weight: 100 lb (45.5 kg)

Item #	Description
994-071	Storage Container w/Cover & Cart
950-020	Optional "Stay Anywhere" Handle System

RADIATION SHIELDS, CARRIERS, SAFES & L-BLOCKS

TANDEM CARRIER PIGS

Stainless Steel



The top entering Tandem Carrier Pig (Item 970-801) is used for emergency tandem storage in patient's room or placed inside a lead lined radiation cart.

Specifications

Item 970-800

Lead Size: 2" sq. x 10 1/2" H

Hole Size: 8 mm W x 22 cm D

Weight: 17 lbs

Item 970-801

Lead Size: 2" sq. x 6" H

Hole Size: 8 mm W x 12.7 cm D

Weight: 16 lbs

The side entering Tandem Carrier Pig (Item 970-800) gives good hand protection when carrying or it can be used for emergency tandem storage in patient's room. The carrier is made of stainless steel, filled with lead and has a tandem tube made of stainless steel that is welded in place.

Item #	Description
970-800	Tandem Carrier Pig with Handle
970-801	Tandem Carrier Pig

IRIDIUM STORAGE CONTAINERS

For Iridium Ribbons



Top View



Item 901-030 is for ribbons containing 3-6 seeds; weight: 18 lbs., height: 6 7/8". This container is solid lead

Item 901-070 is for ribbons containing 7-10 seeds; weight: 22 1/4 lbs., height: 8 3/8". This container is solid lead

Item 901-110 is for ribbons containing 11-14 seeds; weight: 23 3/4 lbs., height: 10 3/8". This container has 3/4" of lead in the top and 5/8" of lead around the sides and bottom. This allows the largest container to be light enough for easy handling.

The nickel-chrome plated steel covers are 4" diameter x 1 3/8" thick and are secured to the main pig with a threaded stud and stainless steel T-handle.

Item #	Description	
901-000	Set of Iridium Storage Containers	
901-030	Iridium Storage Container	3 to 6
901-070	Iridium Storage Container	7 to 10
901-110	Iridium Storage Container	11 to 14

Each container in this set is marked into four quadrants. Each quadrant contains twelve stainless steel tubes for ribbons containing the same amount of seeds. Quadrants are marked for the number of seeds in each ribbon and allow 2 cm of lead shielding above the top seed. A stainless steel coil spring around the top plate allows each ribbon to be held in place by spring compression between the coils.

RADIATION SHIELDS, CARRIERS, SAFES & L-BLOCKS

LEAD LINED STORAGE CONTAINER



The Lead Lined Storage Container is ideal for storing syringes or other items that have been contaminated with low energy gamma radiation residue. It provides 1/8" lead shielding to store items for decay prior to disposal. Use disposable poly liners inside the storage container.

Specifications

Shielding: 1/8" Lead
Size: 5" dia. x 6 1/2" H
Weight: 7 lbs

Item #	Description
929-475	Lead Lined Storage Container
929-476	Disposable Poly Liners 50/Pkg

STAINLESS STEEL SYRINGE CARRIER

Lead Filled With Fixed Handle



The Stainless Steel Syringe Carrier is constructed of stainless steel **inside and out**, with **ALL** enclosed lead - not painted. The lead walls are poured between the stainless steel, so there is no exposed lead. The syringe carrier will store and transport syringes, vials or ampules up to 9" long. The lid is overlapping with a latch to prevent streaming. The lid opens 180° for easy access. There are four (4) rubber feet attached to the bottom of the carrier. **Note:** Other Manufactures paint over the lead .

Specifications

Item 929-091
Overall Dimensions with Handle: 3.2" W x 10.15" L x 6.5" H
Carrier Dimensions: 2.7" W x 9.6" L x 2.5" H
Inside Dimensions: 2" W x 9" L x 2" H
Material: Stainless steel and Lead
Lead Shielding:
Top, Bottom, Sides and Ends: 1/8" T (.317 cm)
Weight: 8 lbs

Item 994-065
Overall Dimensions with Handle: 3.4" W x 10.9" L x 6.7" H
Carrier Dimensions: 2.9" W x 10.35" L x 2.76" H
Inside Dimensions: 2" W x 9" L x 2" H
Material: Stainless steel and Lead
Lead Shielding:
Top, Bottom and Sides: 1/4" T (.64 cm)
Ends: 1/2" T (1.3 cm)
Weight: 16 lbs

Item #	Description
929-091	Stainless Steel Syringe Carrier, 1/8" T Lead Walls
994-065	PET Stainless Steel Syringe Carrier, 1/4" T Lead Walls

RADIATION SHIELDS, CARRIERS, SAFES & L-BLOCKS

SHIELDED SYRINGE CARRIER



The Shielded Syringe Carriers reduce exposure while storing or transporting radioactive material. The overlapping lid design with snap-latch closure prevents streaming. The ends of the carrier are double thick to reduce the exposure from the ends of the syringes. The unit is made of stainless steel with painted lead shielding.

Specifications

929-095

Inside Dimensions: 3" W x 8.25" L x 2.9" H

Outside Dimensions: 4.4" W x 9.5" L x 3.5" H

Lead Shielding:

Sides, top and bottom: .125" thick (.32 cm)

Ends: .25" thick (.64 cm)

Weight: 11.7 lb (5.3 kg)

929-096

Inside Dimensions: 1.9" W x 8" L x 1.97" H

Outside Dimensions: 3.4" W x 9.25" L x 2.6" H

Lead Shielding:

Sides, top and bottom: .125" thick (.32 cm)

Ends: .25" thick (.64 cm)

Weight: 6 lb (2.7 kg)

S

Item #	Description
929-095	1/8" Lead-Lined Syringe Carrier- Large
929-096	1/8" Lead-Lined Syringe Carrier- Small

LEAD SHIELDED SYRINGE HOLDER/PIG



The Lead Shielded Syringe Holder/Pig will accommodate unshielded syringes that contain radioisotopes, ranging from 1 cc to 20 cc. The entire syringe holder offers 1/2" of lead shielding. Its large diameter base prevents the holder from toppling over.

Specifications

Shielding: 1/2" lead

Inside Dimensions: 13/16" dia. x 5 5/8" H

Overall Size: 3 7/8" W x 6 1/2" H

Weight: 6 lbs

Item #	Description
929-100	Lead Shielded Syringe Holder/Pig

DECAY DRUM



- Free-wheeling mobility
- Completely shielded with 1/8" lead
- Convenient sliding door

The Decay Drum has a handle on each side and the cover has 2 collapsible handles. A sliding door on the cover provides a 7" wide x 3 1/2" deep opening for quick and easy access.

The drum is welded to the base which has four screw-in lockable wheels for easy mobility without tipping.

The inside of the drum is sealed which prevents any leakage of radioactive material between the drum and the lead lining. The inside of the drum is painted and has no exposed lead.

Two decay drums can be utilized for a rotation system - one for current use and one for decaying material.

Specifications

Overall Size: 22" dia. x 33 1/2" H

Lead Walls: 1/8" T

Under Counter Clearance: 35"

Finish: Durable tan textured polyurethane enamel paint

Weight: 160 lbs

Item #	Description
929-500	Decay Drum

RADIATION SHIELDS, CARRIERS, SAFES & L-BLOCKS

CESIUM AND RADIUM SHIELDED WORK STATION



The Cesium and Radium Shielded Work Station is the ideal vehicle for the safe storage of cesium and radium. It provides optimum protection to personnel from radiation exposure when storing sources, and has sufficient work and storage area to allow flexibility when using its contents. The steel table with drawer and heavy-duty 6" diameter swivel casters lend mobility from receiving area to final work area.

Each item sold separately on the following pages.

As a guide to determine maximum isotope content for a desired surface radiation level, the Tenth-Value Layers (in lead) are shown in this table.

Cesium-137 2.1 cm	Iridium- 192 2.0 cm	Radium 4.6 cm	Cobalt 60 4.0 cm	Gold-198 1.1 cm
----------------------	------------------------	------------------	---------------------	--------------------

*National Council on Radiation Protection and Measurements. Report No. 40, "Protection Against Radiation from Brachytherapy Sources".

Item #	Description
998-004	Shielded Storage Safe - 4 Drawer
998-006	Shielded Storage Safe - 6 Drawer
990-288	L-Block Lead Shield - 2" Thick Lead Glass
990-488	L-Block Lead Shield - 4" Thick Lead Glass
992-020	Steel Table with Drawer and Shelf
999-054	Halogen Spot Lamp
990-900	Stainless Steel Tray

- Provides optimum working conditions when using cesium and radium
- Designed for maximum protection and versatility

STEEL TABLES



This steel table has smooth, round-edges and the top shelf will support both a Storage Safe (Item 998-004 or 998-006) and a L-Block Shield (Item 990-488). The table has a locking storage drawer and a heavy duty lower shelf for storing radiation pigs and supplies. The support frame of the table is tubular steel with welded joints for maximum strength. The table is welded to four 6" diameter swivel, locking, casters rated at 1,200 pounds each.

Specifications

Dimensions: 28" W x 36" D x 33 3/4" H

Inside Drawer Size: 20" W x 20" D x 5" H

Finish: Durable tan textured polyurethane enamel paint

Item #	Description	Weight
992-020	Steel Table with Drawer and Shelf	150 lbs.



This steel table has smooth, rounded edges with a stainless steel top, a locking storage drawer, and a lower shelf made of 1/8" steel. The support frame is 2" square tubular steel with welded joints for maximum strength.

Specifications

Dimensions: 24" W x 24" D x 36" H

Inside Drawer Size: 16" W x 20" D x 6 3/4" H

Finish: Durable tan textured polyurethane enamel paint

Item #	Description
992-040	Steel Table with Storage Drawer

RADIATION SHIELDS, CARRIERS, SAFES & L-BLOCKS

STEEL TABLES



These Steel Tables are made with a 2" (5.08 cm) square steel tubing framework and Stainless Steel shelves. The two front legs have adjustable leveling feet. The two back legs are a fixed length.

Item	Steel Table, 2 Shelves
992-060	36" W x 24" D x 36" H (91.44 x 60.96 x 94.44 cm)
992-147	48" W x 24" D x 36" H (121.92 x 60.96 x 94.44 cm)

S

LEAD SIDE SHIELDS FOR STEEL TABLE



Side Shields are used when radiation protection is needed to the sides of the radiation loading area. The shield's steel framework is bolted to the side of the table and the 2" thick lead blocks are stacked inside. A steel cover plate is then secured in place.

Specifications (Per Side of Shield)

Dimensions: Front Opening - 4 3/4" W x 13 3/4" H x 2" T
Side - 20" H x 24" D x 2" T

Lead Blocks: 15 blocks - 2" x 4" x 8"
1 block - 2" x 4 1/2" x 6"

Finish: Durable tan textured polyurethane enamel paint
Weight: 475 lbs

Item #	Items Shown in Photo and Sold Separately
992-020	Steel Table with Drawer and Shelf
992-132	Right - Lead Side Shield for Steel Table
992-134	Left - Lead Side Shield for Steel Table
990-288	L-Block Lead Shield - 2" Thick Lead Glass
990-488	L-Block Lead Shield - 4" Thick Lead Glass

DUAL WORKSTATION WITH LEAD SIDE SHIELDS



Lead Walls: 2" Thick
Frame: 2" steel tubing
Overall Size: 64" W x 50 1/4" H x 36" D
Casters: 4 rear fixed 6" diameter
2 front swivel 6" diameter
2 front swivel 6" diameter w/brakes
Bottom Shelf: 32" W x 36" D x 9 5/8" from floor
Side Shields: 16 7/16" H
Work Surface: 34 1/8" from floor, 28" & 30" W x x 34" H
Shelf to Bottom of Drawer: 15 1/8"
Locking Drawer Inside Dimensions: 20" W x 20" D x 5" H
Finish: Durable tan textured polyurethane enamel paint
Weight: 475 lbs

Item #	Description
992-140	Dual Workstation with Lead Side Shields

RADIATION SHIELDS, CARRIERS, SAFES & L-BLOCKS

SHIELDED STORAGE SAFES



- Latching door lock
- Reversible door
- Door opens 180°
- Optional Lamp Holder Stud

These safes are constructed of steel and shielded with 4" lead. They provide maximum protection from radiation exposure and are fire-proof. The door opens 180° so it is out of the way. The door is also reversible to open in either direction. It has a key lock which is used only to open the door. No key is needed to lock the door, simply close the door and it will latch lock. The stainless steel storage drawers (with knob) have a storage space 6" long x 1 1/2" wide x 1 1/2" deep. Drawer Inserts (Item 998-014 and 998-066) are needed for radiation sources. The shelf enclosure is made completely of stainless steel for the safe drawer to slide into. An eye bolt is furnished on top of the safe for lifting. The eye bolt can be removed and replaced with a lamp holder stud (Item 999-042 or 999-053) for supporting a lamp.



Specifications

Item 998-004
4 Drawer Safe
Size: 12 3/4" H x 12 3/4" W x 14 1/2" D
Weight: 950 lbs

Item 998-006
6 Drawer Safe
Size: 12 3/4" H x 15" W x 14 1/2" D
Weight: 1150 lbs

Finish: Durable tan textured polyurethane enamel paint

Item #	Description	Size
998-004	Shielded Storage Safe	4 Drawer
998-006	Shielded Storage Safe	6 Drawer

Order Lead Drawer Inserts Separately

SAFE DRAWER INSERTS

998-014



998-014 shown in safe drawer



998-050



The 14 Hole Lead Inserts have black plastic caps that are used to block the unused source holes. These inserts provide adequate storage space for most applications. Each insert can be marked for source size (10 mg, 15 mg, etc.). If marking of the insert is requested, specify mg Ra equivalent to be marked. The marking will be at the front of the insert. Blank Inserts are used to fill the empty drawers.

Source Size: 2.65 or 3.1 mm dia. x 20 or 21mm L

Insert Size: 1.8" Sq. x 5.9" L

14 Hole Insert Weight: 7.2 lbs

Blank Insert Weight: 7.6 lbs

Item #	Description
998-014	14 Hole Lead Insert
998-050	Blank Insert

PRE-LOADED TANDEM STORAGE DRAWER

Replaces Standard Safe Drawer



Inside Construction



The Pre-loaded Tandem Storage Drawer contains four holes. Each hole is 0.5 cm diameter x 26 cm long and made of stainless steel tubing welded into the stainless steel drawer. The drawer is then filled with lead. Radiation streaming is prevented by a curve in the tubing.

Drawer Size: 2" sq. x 13.7" L

Item #	Description
998-066	Pre-Loaded Tandem Storage Drawer

RADIATION SHIELDS, CARRIERS, SAFES & L-BLOCKS

FLUORESCENT LAMP

With Magnifier



Make intricate details easier to see with bright light and magnification. This magnifying lamp can be used for radiation source inspection and reading serial numbers. A 45" steel swivel arm with tension controls allows for easy movement. A clamp-on style "D" bracket accommodates mounting on up to a 2" thickness. A 5" diameter, 3 diopter (1.75 x) lens magnifies the view while the 22-watt circular fluorescent tube floods the viewing area with light. This unit can be mounted to the top of the radiation safe by removing the eye bolt and installing a Lamp Holder Stud.

Power: 110 - 120 VAC, 60 Hz

Weight: 7.25 lbs

Item #	Description
999-041	Fluorescent Lamp
999-041-1	Replacement Fluorescent Bulb
999-042	Lamp Holder Stud for Mounting Fluorescent Lamp

S

- Convenient outlet and ballast in base
- 6 foot - 3-conductor cord - grounded plug
- UL listed

HALOGEN SPOT LAMP

With Adjustable Arm



- 20 watt halogen lamp provides projected high intensity light for over 2,000 hours.
- 24" articulated arm has 5 adjustment points.
- Compact head - 2.5" diameter.
- 4 hole universal base which can be mounted vertically or horizontally.
- A 4d + 12d magnifier can be clipped onto the light to make intricate details easier to see.

Power: 120 VAC

Item #	Description
999-054	Halogen Spot Lamp
999-052	Magnifier (Optional)
999-053	Lamp Holder Stud for Mounting Halogen Spot Lamp

L-BLOCK LEAD SHIELD

With Wide View Window

The L-Block Lead Shield's tilted wide view leaded glass window provides easy viewing of the radiation loading area. 3" of lead on each side of the viewing window give maximum protection to the head. The 8" square window is made of 2" or 4" thick leaded glass. The L-Block is made of sheet steel with lead shielding inside. Two holes are provided for lifting the unit.

Specifications

Leaded Glass Size: 8" Sq. x 2" or 4" T

Lead Glass Density: 5.2 g/cm³

Tenth Value Thickness (Cesium¹³⁷) = 4.8 cm leaded glass
4" T. (10 cm) leaded glass = 4 cm lead equivalence

Finish: Durable tan textured polyurethane enamel paint

Item 990-288 or 990-488

Overall Size: 14" W x 17 1/2" D x 24 1/2" H x 2 1/4" T

Weight: 420 lbs or 450 lbs

Item 990-250 or 990-251

Overall Size: 14" W x 17 1/2" D x 24 1/2" H x 1 3/4" T

Weight: 280 lbs or 300 lbs



Show with optional
Stainless Steel Tray

Item #	Description
990-250	L-Block Lead Shield - 1 1/2" Thick Pb, 4" Thick Pb Glass
990-251	L-Block Lead Shield - 1 1/2" Thick Pb, 2" Thick Pb Glass
990-288	L-Block Lead Shield - 2" Thick Pb, 2" Thick Pb Glass
990-488	L-Block Lead Shield - 2" Thick Pb, 4" Thick Pb Glass
990-900	Stainless Steel Tray

S - 22

LEAD “L” BLOCK SHIELD

With Extra Wide View



The 1 1/2" thick Lead “L” Block Shield provides exceptional protection to the clinician when loading iodine and iridium.

The face shielding is made of optically clear 12" W x 8" L x 2" thick lead glass, cantilevered for unimpaired viewing of the work area. The leaded glass has a density of 5.2 g/cm³ to give maximum eye and face protection.

Specifications

Leaded Glass Size: 12" W x 8" H x 2" T

Leaded Glass Density: 5.2 g/cm³

Lead Glass: 2 cm lead equivalent (¹³⁷Cs energy)

Lead Thickness: 1 1/2"

Lead Density: 11.35 g/cm³

Overall Size: 12 3/8" W x 13 1/2" D x 16 7/8" H

Front Shield Size: 12 3/8" W x 11 1/8" H

Finish: Durable tan textured polyurethane enamel paint

Weight: 210 lbs

Item #	Description
989-415	Lead L-Block Shield

LEAD TABLE TOP SHIELD

With Two 1/4" Thick Lead Glass



The 1/2" thick Lead Table Top Shield provides exceptional protection to clinician when filling syringes or for general hot lab work. The shield has 1/2" lead protection on all five sides. The inside stainless steel bottom is welded on all corner seams to prevent radiation sources or liquids from hiding under any edges or in any cracks, thus, providing easy cleaning. The reinforced frame work prevents any bending or twisting. Two pieces of 1/4" leaded glass are inserted into a steel frame with 1/2" lead overlapping on the front of the shield.

Specifications

Leaded Glass Size: 16" W x 12" H x 1/2" T

Leaded Glass Density: 5.2 g/cm³

Lead Glass: 4 mm lead equivalent total

Lead Thickness: 1/2"

Lead Density: 11.35 g/cm³

Overall Size: 16" W x 18" D x 23 1/2" H

Front Shield Size: 16" W x 15" H

Side and Rear Shield Size: 10" H with 6" sq. arm openings on sides

Finish: Durable tan textured polyurethane enamel paint

Weight: 265 lbs

Item #	Description
989-320	Lead Table Top Shield

RADIATION SHIELDS, CARRIERS, SAFES & L-BLOCKS

MINI BETA SHIELD For ^{125}I odine or ^{103}Pd alladium



Shown with
Optional Arm Rest

The free standing Mini Beta Shield is made of 1/8" (3.2 mm) thick stainless steel and specifically designed to protect personnel when handling beta-emitting isotopes. The shield easily fits on a bench top or cart. The shield is ideal for protection against ^{125}I odine and ^{103}Pd alladium. A 8 mm thick x 10" (25.4 cm) square lead glass viewing area. The bottom of the shield has a 3/4" (2 cm) lip to contain any dropped seeds.

The optional arm rest is made of clear acrylic and has rubber pads to cushion the arms. The arm rest is 29" wide and 3.5" deep (73.7 x 9 cm). The optional arm rest can be easily mounted to the stainless steel shield with two bolts into pre-drilled holes. The arm rest can be mounted in two different positions to the front of the shield, with arm rest forwards or backwards.

Shielding Equivalency

^{125}I odine: 10th 1/2 Value Layer = 0.056 mm lead

^{103}Pd alladium: 10th 1/2 Value Layer = 0.05 mm lead

Lead Density: $0.0056 \text{ cm} \times 11.35 \text{ g/cm}^3 = 0.06356$

Stainless Steel Density: 1/8" (0.3175 cm) thick x $7.916 \text{ g/cm}^3 = 2.513$

Specifications

Material: 1/8" (3.175 mm) thick stainless steel

Stainless Steel Density: 7.916 g/cm^3

Viewing Area: 10.25" (26 cm) Square

Leaded Glass Density: 4.8 g/cm^3 (2 mm lead equivalency)

Lead Glass: 4.8 g/cm^3

Lead Density: 11.35 g/cm^3

Sterilization: Gas

Item 906-081 Mini Beta Shield Short

Size: 12" W x 12" D x 20.5" H (30.5 x 30.5 x 52 cm)

Weight: 31 lb (14 kg)

Item 906-083 Mini Beta Shield Tall

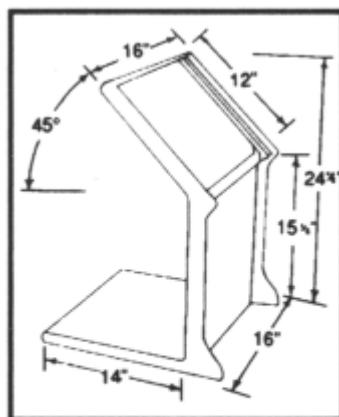
Size: 12" W x 12" D x 24.5" H (30.5 x 30.5 x 62 cm)

Weight: 36 lb (16.5 kg)

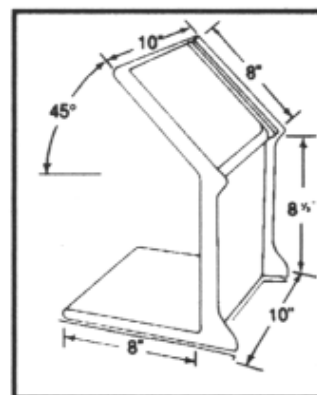
Item	Description
906-081	Mini Beta Shield Short (20.5" H), Stainless Steel
906-083	Mini Beta Shield Tall (24.5" H), Stainless Steel
906-082	Arm Rest for Mini Beta Shield

RADIATION SHIELDS, CARRIERS, SAFES & L-BLOCKS

TABLETOP SHIELDS for gamma radiation



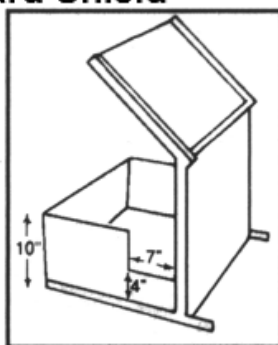
**Dimensions
of Standard Shield**



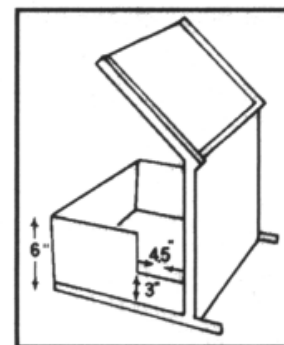
**Dimensions
of Mini Shield**



Shown with
Side Shields



**Standard Shield shown
with optional side shield**



**Mini Shield shown with
optional side shield**

- Constructed of lead and lead glass
- Integral stainless steel tray with spill proof lip
- Optional bottom and side shields available

Tabletop Shields provide protection while working with low energy gamma radioactive materials. The shields are designed to resist tipping and incorporates shielding overlap. They also include a built-in stainless steel tray with spill proof lip for fast, contained clean up. The Mini Tabletop Shield possesses all the features of the Standard Tabletop Shield and is used where work space in limited.

The front walls of the shields are constructed of .5" thick (1.2 cm) lead to protect the torso. A 4.36 density, .3125" thick (.8 cm) lead glass window allows unimpaired viewing of the work area. A second glass window providing a total of 4.0 mm lead equivalency is optional. An optional lead side shield adds an extra measure of protection. Another option is an additional .125" (.30 cm) lead for the bottom of either shield. Manufactured to be durable, the shields are framed in cast aluminum with a powder coat finish.

Specifications

Lead Shielding: .5" thick (1.2 cm)

Dimensions: See drawings featured

Viewing Panel: 2.0 mm or 4.0 mm lead equivalency

Glass Window Nominal Thickness: .31" thick (7.8 mm)

Finish: Powder Coat

Shipping Weight: Item 989-300 is 110 lbs.

Side Shields

Lead Shielding: .25" thick (.64 cm)

Dimensions: See drawings featured

Shipping Weight: 50 lbs (23 kg)

Item #	Description
989-300	Standard Tabletop Shield with 2.0 mm Lead Glass
989-301	Mini Tabletop Shield with 2.0 mm Lead Equivalency Glass
989-302	Additional 2.0 mm Lead Eq Glass Plate for a Standard Shield
989-303	Additional 2.0 mm Lead Eq Glass Plate for a Mini Shield
989-304	.25" Lead Side Shield for Standard Tabletop Shield
989-305	.25" Lead Side Shield for Mini Tabletop Shield
989-306	.125" Lead Bottom Shield for Standard Tabletop Shield
989-307	.125" Lead Bottom Shield for Mini Tabletop Shield

S