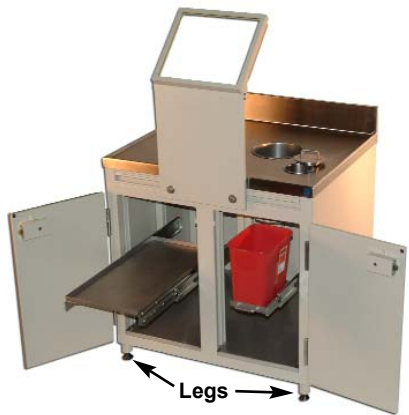


## LEAD CABINET FOR NUCLEAR MEDICINE



955-036



955-037



955-037

The cabinet is 1/2" (1.27 cm) thick lead encased in steel, so there is no exposed lead. The work surface is stainless steel with a 5" (12.7 cm) tall backsplash and 1/2" (1.27 cm) beveled edge on the other three sides to prevent any spills from draining off the top. The vertical supports of the cabinet are steel filled with lead. There is a 4" (10.16 cm) diameter chute to dispose of used syringes into a Sharps container (not included) that sits on a sliding pullout shelf in the cabinet. The chute has a stainless steel encased 1/2" (1.27 cm) lead cover.

The unit includes a well for the dose calibrator well chamber.

The two stainless steel shelves are height adjustable and have a 5/8" (1.59 cm) spill lip on all four sides. A fixed shelf below the Sharps container does not pull out but is height adjustable. The other shelf can be pulled out 18" (45.7 cm) and is also height adjustable. The floor surface inside the cabinet is stainless steel.

The two doors on the cabinet open from center to 180°. Both are 1/2" (1.27 cm) lead encased in steel and have an L-handle with a key lock. The latching feature on the L-handle allows closing the door when it is locked. The doors have a 7/8" (2.2 cm) overlap on the cabinet openings.

The L-block is also made of 1/2" (1.27 cm) lead encased with steel and a steel framework around the 1/2" (1.27 cm) thick leaded glass. The viewing window is bent to a 45° angle from the front of the L-block. The L-block is attached to the cabinet with two bolts that screw into mounting plates that are adjustable left and right.

The cabinet is painted with tan textured paint except for the stainless work surface, shelves and inside cabinet floor.

Two base options are available. It can sit on a 3" (7.6 cm) steel frame base that provides a toe kick (Item 955-036) or it can have four (4) 3" (7.6 cm) high adjustable leveling legs (Item 955-037).

An optional Side Shield System is available for the top of the cabinet. The Side Shield System is 1/2" (1.27 cm) lead covered with stainless steel. It fits together using "L" brackets and vertical corner gussets (included).

### Specifications

#### Cabinet Dimensions

**Work Surface:** 36" L x 30" D x 36 1/8" H (91 x 76 x 91.8 cm)

**Top of Backsplash:** 41 1/8" H (104.5 cm)

**Cabinet Openings:** 14.25" W x 24.5" H (36.2 x 62.2 cm)

#### Shelf Sizes

**Container Shelf:** 5.5" W x 8.5" D x 15/16" H (14 x 21.6 x 2.4 cm)

**Pullout Shelf:** 12.25" W x 25.25" D x 5/8" H (31.1 x 64.1 x 1.6 cm)

**Fixed Shelf:** 13.75" W x 25.25" D x 5/8" H (35 x 64 x 1.6 cm)

**Well for Dose Calibrator:** 8.0" Dia. x 9.5" D (20.3 x 24 cm)

#### L-Block Dimensions

**Front Size:** 14.625" W x 18.5" H x 0.75" Thick (37.2 x 47 x 1.9 cm)

**Window Viewing Area:** 13.5" W x 12" H (34.3 x 30.5 cm)

**Overall Height:** 28.5" H (72.4 cm)

**Window Angle:** 45°

**Lead Glass Thickness:** 0.5" (1.27 cm)

**Lead Equivalency of Glass:** 1/8" (0.32 cm)

#### Optional Side Shield System

**Each Side:** 27" L x 18.5" H x 0.5" T (68.6 x 47 x 1.27 cm)

**Back:** 30" L x 18.5" H x 0.5" T (76.2 x 47 x 1.27 cm)

**Material:** 1/2" (1.27 cm) Lead covered with Stainless Steel and framed in stainless steel channels

Item #	Description	Lead Thickness	Size
955-036	Cabinet for Nuclear Medicine with 3" (7.6 cm) Steel Base	0.5" (1.27 cm)	36" L x 30" D x 41 1/8" H (91 x 76 x 104.5 cm)
955-037	Cabinet for Nuclear Medicine with Four 3" (7.6 cm) Legs	0.5" (1.27 cm)	36" L x 30" D x 41 1/8" H (91 x 76 x 104.5 cm)
995-012	Optional Side Shield System	0.5" (1.27 cm)	(2) 27" L x 18.5" H x 0.5" T (68.6 x 47 x 1.27 cm) (1) 30" L x 18.5" H x 0.5" T (76.2 x 47 x 1.27 cm)

## PET WORKSTATION



994-036

L-Block sold separately

The PET Workstation consists of a steel table with a drawer, lower shelf, container well, and side and back shields. The L-Block must be ordered separately.

The workstation table is made of 2" (5.08 cm) steel tubing. The sides and back walls are 2" (5.08 cm) thick lead bricks covered with steel panels on both sides. The four corner posts are filled with lead.

The container well is 19.5" (49.5 cm) from the front of the table and has 2.5" (6.35 cm) thick lead walls for the detector chamber to be placed into. The 2.5" (6.35 cm) lead bottom of the container well rotates to accommodate the insertion of the detector chamber from the bottom. The container well bottom then rotates back and is bolted in place. The container well rises 4" (10.16 cm) above the table top and is 16" (40.64 cm) deep. The overall diameter of the container well is 13.5" (34.29) with an inside diameter of 7" (17.8 cm). This size container well accommodates the Capintec CRC®-15PET detector chamber.

The workstation has 4 heavy duty casters. The two rear casters are fixed and the two front casters are swivel and locking. Each caster is rated at 2,000 lb (909 kg).

### Options for PET Workstation

**Item 990-488:** 2" (5.08 cm) Thick lead L'Block with a 8" W x 8" L x 4" thick (20.3 x 20.3 x 10.2 cm) lead glass window.  
**L-Block Dimensions:** 14" W x 17.5" D x 24.75" H (35.6 x 44.5 x 63 cm)

**Item 994-036 and 994-036-1:** Stainless steel tray that holds the dose calibration display unit.

**Item 994-021:** Pair of steel channels that distribute the heavy weight of this workstation over a large floor area.

**Item 994-020-21:** 2.5" Thick (6.35 cm) Leaded Rotating Well Top Cover

### Specifications

#### Workstation:

**Overall Dimensions:** 27.75" W x 35.75" L x 61" H (70.5 x 90.8 x 155 cm)

**Table Top Dimensions:** 23.25" W x 31.25" L x 34.75" H (59 x 79 x 88 cm)

**Side/Back Wall Height:** 16" (40.6 cm)

**Color:** Durable tan textured polyurethane enamel paint

**Approximate Weight:** 2,650 lb (1205 kg)

**Note:** The workstation can be manufactured to fit other dose detector chambers. When placing an order please specify manufacturer of dose calibrator detector, model, outside diameter and height.

Item #	Description
994-020	PET Workstation w/ Drawer, Container Well & Side Shields
994-020-21	2.5" (6.35 cm) Thick Leaded Rotating Well Top Cover
994-021	Floor Channels for Weight Distribution - 2/Set
994-036	Tray for Dose Calibrator, 10.75" Square (27.3 cm)
994-036-1	Tray for Dose Calibrator, 12" Square (30.5 cm)
990-488	"L" Block - 2" Thick (5.08 cm) Lead
990-900	Stainless Steel Tray for "L" Block

## DUAL WORKSTATION

### with Lead Side Shields



**Lead Walls:** 2" thick (5.08 cm)

**Frame:** 2" (5.08 cm) steel tubing

**Overall Size:** 64" W x 36" D x 50.25" H (162.6 x 91.4 cm x 127.6)

**Side Shields:** 2" thick x 16 7/16" H (5.1 x 41.8 cm)

**Work Surfaces:** 28" W x 34" D (71.1 x 86.4 cm) and 30" W x 34" D (76.2 x 86.4 cm)

**Work Surface Height:** 34 1/8" (86.7 cm) from floor

**Drawer Inside Size:** 20" W x 20" D x 5" H (50.8 x 50.8 x 12.7 cm)

**Clearance Under Drawer to Bottom Shelf:** 15 1/8" (38.4 cm)

**Bottom Shelf:** 32" W x 36" D (81.2 x 91.4 cm), 9 5/8" (24.5 cm) from floor

**Casters:** Four rear fixed 6" (15.24 cm) diameter, two front swivel 6" (15.24 cm) diameter, two front swivel 6" (15.24 cm) diameter w/brakes

**Finish:** Durable tan textured polyurethane enamel paint

**Weight:** 475 lb (216 kg)

Item #	Description
992-140	Dual Workstation with Lead Side Shields (Made from Items 992-138 and 992-139)
992-138	Workstation with 3 Side Shields
992-139	Workstation with 2 Side Shields

## STEEL TABLE



This steel table has smooth, round edges and the top shelf will support both a Storage Safe and a L-Block Shield (Item 990-488). The table has a locking storage drawer and a heavy duty lower shelf for storing radiation pigs and supplies. The support frame of the table is tubular steel with welded joints for maximum strength. The table is welded to four 6" (15.24 cm) diameter swivel locking casters rated at 1,200 pounds (545 kg) each.

### Specifications

**Dimensions:** 28" W x 36" D x 33.75" H (71.1 x 91.4 x 85.7 cm)  
**Inside Drawer Size:** 20" W x 20" D x 5" H (50.8 x 50.8 x 12.7 cm)  
**Finish:** Durable tan textured polyurethane enamel paint  
**Weight:** 150 lb (68.2 kg)

Item #	Description
992-020	Steel Table with Drawer and Shelf

## STEEL TABLES



These Steel Tables are made with a 2" (5.08 cm) square steel tubing framework and Stainless Steel shelves. The two front legs have adjustable leveling feet. The two back legs are a fixed length.

Item	Steel Table, 2 Shelves
992-060	36" W x 24" D x 36" H (91.44 x 60.96 x 94.44 cm)
992-147	48" W x 24" D x 36" H (121.92 x 60.96 x 94.44 cm)

## CABINET 6mm (1/4") LEAD-LINED



The cabinet is made of 0.25" (6.37 mm) sheet lead and covered on both sides with steel. The doors are also 0.25" (6.37 mm) sheet lead covered with stainless steel and have a key lock handle on each door. The outside of the cabinet and the interior walls are painted with a tan textured polyurethane enamel paint. A toe kick at the bottom prevents anything from sliding underneath the cabinet.

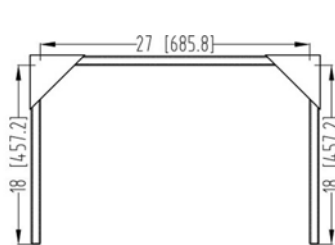
### Specifications

**Overall size:** 40" W x 24" D x 28" H (102 x 61 x 71 cm)  
**Finish:** Durable tan textured polyurethane enamel paint  
**Approximate weight:** 1200 lb (545.5 kg)

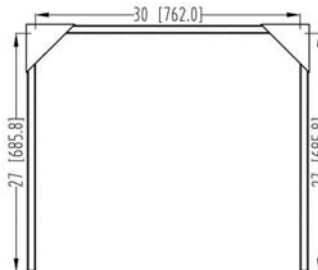
Item #	Description
955-041	Stainless Steel Covered Lead Cabinet

# PET & NUC. MEDICINE-WORKSTATIONS, CARTS & PIGS

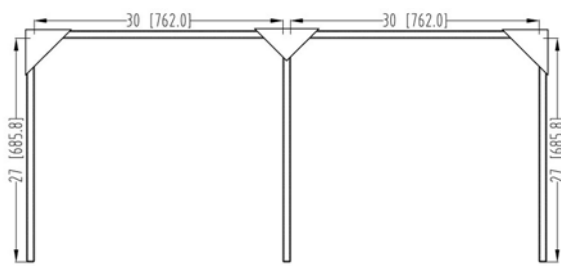
## STAINLESS STEEL COVERED SIDE SHIELD SYSTEMS FOR CABINET TOP OR TABLE



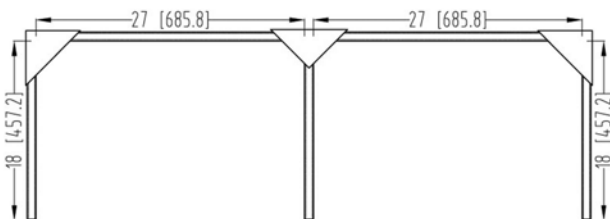
995-011



995-012



995-013



995-014

Side Shield Systems are available for the top of a cabinet, counter or table. The Side Shield Systems are 1/2" (1.27 cm) lead covered with stainless steel. It fits together using "L" brackets and vertical corner gussets (included).

**Material:** 1/2" (1.27 cm) Lead covered with Stainless Steel and framed in stainless steel channels

Item	Description	Lead Thickness	Dimensions	Weight
995-011	Side Shield System, Single	0.5" (1.27 cm)	Each Side: 18" L x 18.5" H x 0.5" T (45.7 x 47 x 1.27 cm) Back: 27" L x 18.5" H x 0.5" T (68.6 x 47 x 1.27 cm)	125 lb (57 kg)
995-012	Side Shield System, Single	0.5" (1.27 cm)	Each Side: 27" L x 18.5" H x 0.5" T (68.6 x 47 x 1.27 cm) Back: 30" L x 18.5" H x 0.5" T (76.2 x 47 x 1.27 cm)	355 lb (162 kg)
995-013	Side Shield System, Double	0.5" (1.27 cm)	Each Side: 27" L x 18.5" H x 0.5" T (68.6 x 47 x 1.27 cm) Each Back: 30" L x 18.5" H x 0.5" T (76.2 x 47 x 1.27 cm)	595 lb (271 kg)
995-014	Side Shield System, Double	0.5" (1.27 cm)	Each Side: 18" L x 18.5" H x 0.5" T (45.9 x 47 x 1.27 cm) Each Back: 27" L x 18.5" H x 0.5" T (68.6 x 47 x 1.27 cm)	475 lb (216 kg)

## L-BLOCK LEAD SHIELD

### With Wide View Window



Shown with Optional  
Stainless Steel Tray (Item 990-900)

The L-Block Lead Shield's tilted wide view leaded glass window provides easy viewing of the radiation loading area. 3" (7.6 cm) of lead on each side of the viewing window give maximum protection to the head. The 8" (20.3 cm) square window is made of 4" (10.2 cm) thick leaded glass that has a density of 5.2 g/cm<sup>3</sup>. The L-Block is made of sheet steel with 2" (5.08 cm) of lead shielding inside. Two holes are provided for lifting the unit.

### Specifications

**Leaded Glass Dim:** 8" Sq. x 4" T (20.3 x 10.2 cm)

**Lead Glass Density:** 5.2 g/cm<sup>3</sup>

Tenth Value Thickness (Cesium<sup>137</sup>) = 4.8 cm leaded glass

4" T (10.2 cm) leaded glass = 4 cm lead equivalence

**Overall Dim:** 14" W x 17 1/2" D x 24 3/4" H x 2" T

(35.6 x 44.5 x 62.9 x 5.08 cm)

**Finish:** Durable tan textured polyurethane enamel paint

**Weight:** 450 lb (205 kg)

Item #	Description
990-488	L-Block Lead Shield
990-900	Stainless Steel Tray

## LEAD "L" BLOCK SHIELD

With Extra Wide View



The 1 1/2" (3.8 cm) thick Lead "L" Block Shield provides protection to the clinician when working with 511 KeV nuclides.

The face shielding is made of optically clear 12" W x 8" L x 2" thick (30.5 x 20.3 x 5.08 cm) lead glass, cantilevered for unimpaired viewing of the work area. The leaded glass has a density of 5.2 g/cm<sup>3</sup> to give maximum eye and face protection.

### Specifications

**Leaded Glass Dim:** 12" W x 8" H x 2" T (30.5 x 20.3 x 5.08 cm)

**Lead Glass Density:** 5.2 g/cm<sup>3</sup>

**Lead Glass:** 2 cm lead equivalent (<sup>137</sup>Cs energy)

**Lead Thickness:** 1 1/2" (3.8 cm)

**Lead Density:** 11.35 g/cm<sup>3</sup>

**Overall Dim:** 12 3/8" W x 13 1/2" D x 16 7/8" H (31.5 x 34.3 x 42.9 cm)

**Front Shield Dim:** 12 3/8" W x 11 1/8" H (31.5 x 28.3 cm)

**Finish:** Durable tan textured polyurethane enamel paint

**Weight:** 210 lb (95.5 kg)

Item #	Description
989-415	Lead L-Block Shield

S

## PET WASTE WELL



The PET Waste Well stores used syringes and vials used in PET applications until proper disposal.

The Waste Well has 2" (5.08 cm) thick lead brick walls covered with steel panels on the outside and inside. The bottom is lead covered with stainless steel. The frame of the waste well is 2" (5.08 cm) square steel tubing welded together.

**Optional:** Half cover made of stainless steel filled with lead. The cover has rollers that allow the user to easily roll the cover forward or backward using the handle.

**Note:** The Waste Well can be custom made to your specifications.

### Specifications

**Overall Dimensions:** 24" W x 24" L x 51.5" H (61 x 61 x 131 cm)

**Inside Well Dimensions:** 20" W x 20" L x 16" Deep (51 x 51 x 41 cm)

**Wall Thickness:** 2" (5.08 cm) Lead

**Weight:** Approx 1,250 lbs (569 kg)

**Color:** Durable tan textured polyurethane enamel paint.

Item #	Description	Lead Thickness
994-010	PET Waste Well	2" (5.08 cm) Lead Walls and 1/2" (1.27 cm) Lead Floor
994-011	Half Cover for PET Waste Well	1/2" (1.27 cm) Lead
994-012	PET Waste Well	2" (5.08 cm) Lead Walls and 1" (2.54 cm) Lead Floor
994-013	Half Cover for PET Waste Well	1" (2.54 cm) Lead

## ADJUSTABLE HEIGHT ROLLING RADIATION SHIELD FOR PET

2" (5.08 cm) Thick Lead



- Only adjustable shield with 36" W x 24" H (91 x 61 cm) lead
- Easy-to-adjust

The Adjustable Lead Shield can be moved over a 9" (23 cm) height range by using a screw jack. The jack is operated by a hand crank or a flat blade (both included) for a 3/8" Drill. The shield is set in a metal frame and mounted on a base with four 6" (15.24 cm) diameter swivel, locking, ball bearing casters that provide easy mobility.

### Specifications

**Lead Size:** 36" W x 24" H x 2" T (91 x 61 x 5.08 cm)

**Overall Size:** 42.5" W x 24" D (108 x 61 cm)

**Base Height:** 10.5" (26.7 cm)

**Casters:** Four 6" (15.24 cm) dia. swivel locking ball bearing

**Finish:** Durable tan textured polyurethane enamel paint

**Weight:** 850 lb (387 kg)

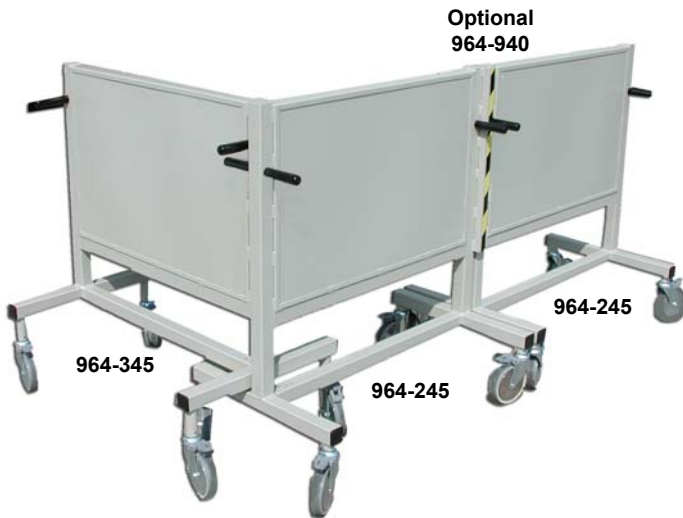
Item #	Description
964-030	Adjustable Height Rolling Radiation Shield Height Adjusts 39" to 48" (99 to 122 cm)

S

## INTERLOCKING RADIATION SHIELDS FOR PET

2" (5.08 cm) Thick Lead

These radiation shields for PET are made of 2" (5.08 cm) thick lead with lead-filled posts. The base of each shield has four 6" (15.24 cm) diameter swivel locking ball bearing casters. The base of the bed end shield is higher for placement over the base of the side shield. This allows the shields to abut to each other. Each shield has handles on both sides and both ends.



### Specifications

**Lead Size:** 36" W x 24" H x 2" T (91 x 61 x 5.08 cm)

**Overall Size:** 40" W x 45" H x 24" D (102 x 114 x 61 cm)

**Casters:** Four 6" (15.24 cm) diameter swivel locking ball bearing

**Finish:** Durable tan textured polyurethane enamel paint

**Approximate Weight:** 850 lb (387 kg)

Item #	Description
964-340	Interlocking Bed End Shield 40" W x 40" H x 24" D (101.96 x 101.96 x 61.18 cm)
964-342	Interlocking Bed End Shield 40" W x 42" H x 24" D (101.96 x 107.06 x 61.18 cm)
964-345	Interlocking Bed End Shield 40" W x 45" H x 24" D (101.96 x 114.71 x 61.18 cm)
964-348	Interlocking Bed End Shield 40" W x 48" H x 24" D (101.96 x 122.35 x 61.18 cm)
964-355	Interlocking Bed End Shield 40" W x 55" H x 24" D (101.96 x 140.2 x 61.18 cm)
964-930	Optional Two Lead-Filled Posts
964-940	Optional Shield Interlock, 1.75" (4.5cm) Lead Thickness

## RADIATION SHIELDS FOR PET

2" (5.08 cm) Thick Lead

These radiation shields for PET are made of 2" (5.08 cm) thick lead with lead-filled posts. The base of each shield has four 6" (15.24 cm) diameter swivel locking ball bearing casters.



### Specifications

**Lead Size:** 36" W x 24" H x 2" T (91 x 61 x 5.08 cm)

**Base Height:** 10.5" (26.7 cm)

**Casters:** Four 6" (15.24 cm) dia. swivel locking ball bearing

**Finish:** Durable tan textured polyurethane enamel paint

**Approximate Weight:** 850 lb (387 kg)

Item #	Description
964-240	Fixed Rolling Radiation Shield 40" W x 40" H x 24" D (101.6 x 101.6 x 61 cm)
964-242	Fixed Rolling Radiation Shield 40" W x 42" H x 24" D (101.6 x 106.7 x 61 cm)
964-245	Fixed Rolling Radiation Shield 40" W x 45" H x 24" D (101.6 x 114.3 x 61 cm)
964-248	Fixed Rolling Radiation Shield 40" W x 48" H x 24" D (101.6 x 121.9 x 61 cm)
964-255	Fixed Rolling Radiation Shield 40" W x 55" H x 30" D (101.6 x 139.7 x 76 cm)
964-940	Optional Shield Interlock, 1.75" (4.5cm) Lead Thickness

Custom Size Shields Available

## ABSORBENT PADS FOR PET SHIPPING SYSTEMS



Absorbent Sheets for Nuclear Medicine PET Shipping Systems.

These sheets can be cut with scissors for size. Material is layered for thickness or use individually to make thinner separate layers.

### Specifications

**Size:** 10" W x 13" L

Item #	Description
994-731	Absorbent Pads f/ PET Shipping Systems,100/Pkg

S



# PET & NUC. MEDICINE-WORKSTATIONS, CARTS & PIGS

## LEAD LINED STORAGE CONTAINER



The Lead Lined Storage Container can be used to store radioactive materials that require lead shielding of 1/8" (0.3 cm) or less. The container is made of steel and has 1/8" (0.3 cm) thick lead on all sides, top and bottom. Two latches secure the lid shut and allow for the use of locks for security. The container has a bail handle on the lid for lifting the lid and two bail handles on the sides to carry the container.

### Specifications

**Material:** Steel and 1/8" (0.3 cm) thick lead  
**Inside Dimension:** 9.5" L x 9.5" W x 9.5" H (24.1 x 24.1 x 24.1 cm)  
**Finish:** Durable tan textured polyurethane enamel paint  
**Weight:** 44 lb (20 kg)

Item #	Description
929-200	Lead Lined Storage Container

## UNIVERSAL 511 T-VIAL SHIELD



The Universal 511 "T" Vial Shield is made entirely of Tungsten to provide the best protection for the user. The shield offers 1" (2.54 cm) lead equivalent on all sides. "T" lifting handle is removable. The Universal 511 "T" Vial Shield holds 10, 20 and 30 cc vials.

### Specifications

**Dimensions:** 3.1" Dia. x 4.7" H (8 x 12 cm)  
**Weight:** 16 lb (7 kg)

Item #	Description
994-041	Universal 511 "T" Vial Shield - 10, 20 and 30 cc Vials

## PIG - 30 AND PIG - 50



Pig 30 inside Pig 50

These lead Pigs for PET store vials of radiotracers for daily use, ensuring staff safety and reducing background levels. Built with 2.38" (60 mm) lead shielding. Pig-30 holds vials up to 30 ml; PIG-50 holds vials up to 50 ml.

### Specifications

**Item 994-066 PIG-30**  
**O.D.:** 6.4" dia x 8" H (16 x 20 cm)  
**I.D.:** 1.65" dia x 3" H (4.2 x 7.6 cm)  
**Weight:** 109 lb (50 kg)

**Item 994-068 PIG-50**  
**O.D.:** 6.75" dia x 9.75" H (17 x 25 cm)  
**I.D.:** 2.0" dia x 5" H (5.08 x 12.7 cm)  
**Weight:** 148 lb (68 kg)

Item #	Description
994-066	PIG - 30
994-068	PIG - 50

## ROTUND LEAD CONTAINER 1" (2.54 cm) Lead Wall



The Rotund Container with 1" thick (2.54 cm) Lead Wall, can be used to store syringes or vials that contain or have residue radiopharmaceuticals. This container is for use in nuclear medicine and PET departments. The container has a 1" (2.54 cm) lead wall with a 4" (10.16 cm) inside diameter. The lid has a 1 1/16" x 4" dia. (2.7 x 10.2 cm) center that protrudes into the container which prevents the lid from sliding and firmly seats the lid on the container.

### Specifications

**Inside Dimensions:** 4" dia. x 5.5" D (10.2 x 14 cm)  
**Outside Dimensions:** 6" dia. x 7.5" H (15 x 19 cm), not including handle  
**Lead Wall:** 1" thick (2.54 cm)  
**Finish:** Durable tan textured polyurethane enamel paint  
**Weight:** 60 lb (27.3 kg)

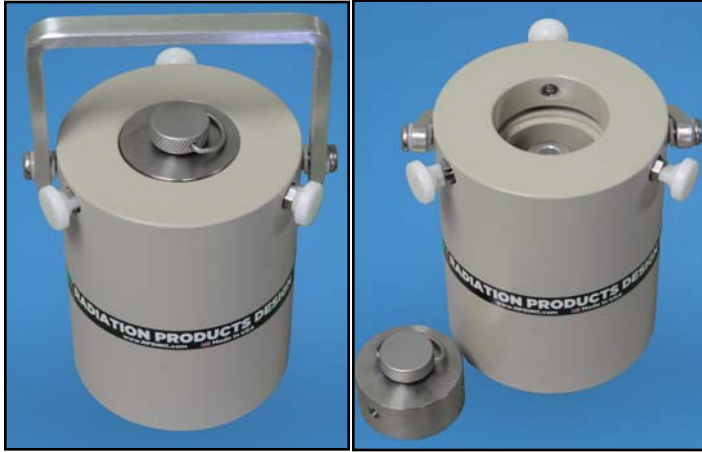
**Note:** The Rotund container can be custom made to any size per customer's specifications. Please call Radiation Products Design for more information on custom sizes.

Item #	Description
994-070	Rotund Lead Container

S

# PET & NUC. MEDICINE-WORKSTATIONS, CARTS & PIGS

## CONTAINER LEAD AND TOP TUNGSTEN, 50cc VIAL, 11 GA ACCESS



The Lead Shielded Container with Tungsten Cover was designed to hold radioactive isotopes in vials up to 50cc. In the center of the tungsten cover is a needle access channel to the vial. A Stainless Steel screw knob with a silicone O-ring seal and a tungsten rod plugs the needle access channel when not in use. When the tungsten cover is inserted into the container an O-ring seals the cover. The lead container has a foldable handle to make it easier to carry or take in and out of a Cart.

The container is made of 1 1/8" (2.9cm) thick lead (Density: 11 g/cm<sup>3</sup>) with a drop in 1" (2.54cm) thick tungsten (Density: 17 g/cm<sup>3</sup>) cover that is secured using three spring plungers that go into the tungsten cover.

The vial cavity of the container includes a 1/8" (0.3cm) thick foam on the bottom to protect the vial.

### Specifications

**Lead Thickness:** 1 1/8" (2.85cm)

**Lead Density:** 11 g/cm<sup>3</sup>

**Tungsten Thickness:** 1"

**Tungsten Density:** 17 g/cm<sup>3</sup>

**Inside Container Size:** 1.75" Dia. X 3.062" Deep (4.5cm x 7.8cm)

**Outside Container Size:** 4.050" Dia. X 5.25" H (10.3cm x 13.3cm)

**Finish:** Durable tan polyurethane enamel paint

**Weight:** 33 lb (15kg)

### Optional Items

**Item #949-523:** DOT Shipping Container.

**Item #949-500:** Lead Shielded Cart w/ Cover

The Shielded Cart w/ Cover is designed to transport vial pigs used with PET radionuclides. This cart will accommodate the following items: 994-205 (30ml Vial Pig).



949-523



949-500

Item #	Description
949-524	Container Lead & Top Tungsten, 50cc Vial, 11 ga Access
949-523	DOT Shipping Container
949-500	Shielded Cart w/ Cover, 1" Lead, 5.5" ID. 8.5" Depth

## SPATIAL REGISTRATION SOURCE HOLDERS



994-248 - Top View

994-248 - Bottom View



994-2481

The Spatial Registration Source Holders are designed to hold a 10 cc or 3 cc vial of radionuclide to test the spatial registration of a nuclear medicine camera. The holders are made of lead and have a 5mm diameter hole at the bottom of each holder. Two thumb screws tighten the cover.

### Specifications

#### Item 994-248 for 10cc Vial

**Overall Size:** 5.3 cm diameter x 9.5 cm H

**Cavity Size:** 2.8 cm diameter x 5.7 cm D

**Cover thickness:** 1.27 cm

**Bottom thickness:** 2.54 cm

**Material:** Lead

**Finish:** Tan textured polyurethane paint

#### Item 994-2481 for 3cc Vial

**Overall Size:** 4.5 cm diameter x 7.9 cm H

**Cavity Size:** 1.8 cm diameter x 4.0 cm D

**Cover thickness:** 1.27 cm

**Bottom thickness:** 2.54 cm

**Material:** Lead

**Finish:** Tan textured polyurethane paint

Item	Description
994-248	Spatial Registration Source Holder for 10cc Vial
994-2481	Spatial Registration Source Holder for 3cc Vial

## COUNT RATE CALIBRATOR SOURCE HOLDER



Shown with Optional Handle  
(Item 994-249-5)

This is a source holder for multiple spatial window registration measurements. The holder and cover are made of 1" lead painted with a smooth tan polyurethane. Three (3) copper plates are included with the source holder. One copper plate is 1.59 mm thick and two(2) plates are 2.38 mm thick. Two (2) Pan head screws hold the copper plates and cover on the holder. An allen wrench is also included.

The handle is optional and ordered separately.

### Specifications

**Overall Dimensions:** 3.14" Diameter x 4.2" H  
(7.98 cm diameter x 10.67 cm H)

**Inside Hole dimensions:** 1.075" Diameter x 2.2" H  
(2.73 cm diameter x 5.59 cm H)

**Lead Thickness:** 1" Lead

**Finish:** Tan polyurethane paint

#### Copper Plates:

**One (1) Plate:** 7.98 cm diameter x 1.59 mm T

**Two (2) Plates:** 7.98 cm diameter x 2.38 mm T

**Weight:** 12.8 lb (6 kg)

Item	Description
994-249	Count Rate Calibrator - Source Holder
994-249-5	Optional Handle

## LEAD STORAGE CONTAINER FOR GE-68 PHANTOM 1" (2.54 cm) Lead Walls



994-073

Precision  
Ge-68 Phantom

Optional  
950-020

The Lead Storage container was designed as a storage holder for the Precision Ge-68 Phantom for PET camera quality assurance.

The container has an outside wall of 1/4" (.64 cm) steel with 1" (2.54 cm) lead shielding on the inside and the chamfer top allows for the cover to sit snugly on top. Two (2) U-handles welded to the side of the container allow for easy movement. The cover is 1" (2.54 cm) lead with a chamfer bottom to fit into the container. Two (2) U-handles welded to the cover allow for easy removal. The container is welded to the 16" (40.6 cm) diameter steel base plate. Easy mobility is achieved by the five (5) 3" (7.6 cm) non-locking swivel casters that are bolted to the base plate.

Optional: An optional "Stay Anywhere" Handle can be welded to the base plate of Item 994-073. The "Stay Anywhere Handle" is friction held in any position and allows for easy steering and pulling.

### Specifications

**Overall Dimensions:** 16" Dia. x 19 1/4" H (49 x 40.6 cm)

#### Container Dimensions

**Outside:** 12" Dia. x 13" H (30.5 x 33 cm)

**Inside:** 9 5/16" Dia. x 11 1/2" Deep (23.6 x 29.2 cm)

**Container Wall Material:** 1" Thick Lead (2.54 cm) and 1/4" Steel (.64 cm)

**Container Cover:** 1" Thick Lead (2.54 cm)

**Container Bottom:** 1" Thick Lead (2.54 cm)

**Base Plate:** 16" Dia. x 1/4" Thick Steel (40.6 x .64 cm)

**Casters:** Five (5) 3" (7.6 cm) Swivel casters, non-locking

**Finish:** Outside-Tan Textured Polyurethane

Inside-Tan Smooth Polyurethane

**Weight:** 288 lb (131 kg)

Item #	Description
994-073	Lead Storage Container for GE-68 Phantom
950-020	Optional "Stay Anywhere" Handle System

# PET & NUC. MEDICINE-WORKSTATIONS, CARTS & PIGS

## 1" LEAD SHIELDED CART WITH COVER FOR 30 ml PET VIALS



Shown with Optional  
30 Vial Pig Item 994-205



- Lockable

The 1" lead shielded cart with cover is designed to transport the 30 ml vial pig (Item 994-205) used with PET radionuclides.

The cart container is constructed of 0.25" (0.6 cm) thick steel and shielded with 1" (2.54 cm) lead. The cover is also steel and has a 1" (2.54 cm) thickness of lead with a bayonet latch to hold the cover tight on the cart container. The cart container and cover can be locked using the provided pad lock. The cart has two 8" (20 cm) diameter, roller bearing rear wheels and a 5" (13 cm) diameter, swivel, locking ball bearing front castor. The 36" (91.5 cm) long 'Stay Anywhere Handle' is friction held at any position.



994-205

An optional removable paper and forceps holder (Item 949-312) attaches to the cart on the rear axle.

This cart will accommodate Item 994-205, the 30 ml Vial Pig

### Specifications

**Inside Cart Container Size:** 4.25" dia. x 8.0" D (10.8 x 20.3 cm)  
**Outside Cart Container Size:** 7.0" dia. x 9.32" D (17.8 x 23.7 cm)  
**Finish:** Durable tan textured polyurethane enamel paint  
**Weight:** 133 lb (61 kg)

### Item 994-205 30 ml Vial Pig, 1" (2.54 cm) Lead

**Outside Dimensions:** 4.15" Dia. x 6.63" H (10.5 x 16.8 cm)  
**Inside Dimensions:** 1.51" Dia. x 2.76" H (3.8 x 7 cm)  
**Lead Shielding Sides and Bottom:** 1" thick (2.5 cm)  
**Lead Shielding Top:** 1.75" (4.4 cm)  
**Weight:** 21.3 lb (9.7 kg)

Item #	Description
949-320	1" Lead Shielded Cart With Cover for 30 ml PET Vials
994-205	30 ml Vial Pig, 1" (2.54 cm) Lead
949-312	Optional Paper Forceps Holder for Item 949-320

## WIRE SECURITY SEAL PET SHIPPING SYSTEM



### Specifications

**Material:** Lead

Item #	Description
994-733	Wire Security Seal f/ PET Shipping System- 25/Pkg

S

## 511 TRANSPORT CONTAINER FOR 30 CC VIAL AND TRANSPORT CART



994-060



994-059

### Item 994-060 511 Transport Container for 30 cc Vial

- Fits in Transport Cart, Item 994-059
- Designed with over 1.5" (3.8 cm) of lead shielding
- Lift rings for easy removal of lid
- Slotted handle fastens to secure top

The 511 Transport Container for 30 cc vial of 511 emitters is designed to fit into the Transport Cart (Item 994-059). The Transport Cart will accommodate two (2) 511 Transport Containers.

### Specifications

- **Inside Dimensions:** 1.5" Dia. x 3" D (3.8 x 7.6 cm)
- **Outside Dimensions:** 5" Dia x 6.5" H (13 x 16.5 cm)

### Item 994-059 Transport Cart

- Long, "Stay Anywhere" handle
- Low center of gravity for stability
- Will fit in automobile trunk
- Locking front caster
- Container Box Sizes are 6" square

The High Radiation Transport Cart is a safe way to transport heavy lead containers within your facility without risk of the cart turning over or struggling with a container too heavy to carry safely. The cart has two sections that measure 6" W x 6 1/8" L with three sides that are 3 5/8" High. To handle weighty loads the unit has heavy duty roller bearing rear wheels and a locking front caster. The "Stay Anywhere" handle is held by friction in any position. Weighing only 36 pounds (16.4 kg) and with a small footprint, the unit is easily lifted in and out of a vehicle and stored in a small space.

### Overall Transport Cart Dimensions (without handle):

12.5" W x 9.5" D x 7.9" H

Item #	Description
994-060	511 Transport Container for 30 cc Vial
994-059	Transport Cart for Radiation Container 994-060

S

## 511 C-TEC™ SYRINGE SHIELDS



This special Syringe Shield is manufactured to provide shielding for 511 keV nuclides. The 511 Syringe Shield is made of Tungsten with a 0.5" (12.7 mm) lead equivalency.

It has a viewing area of 0.75" (19 mm) thick lead glass surrounded by a rubber grommet to prevent damage to the glass. Fluorescent gold glass covers the interior of the syringe shield for exceptional visibility of the syringe contents.

Item #	Description
994-045	511 C-Tec™ Syringe Shields, 5 cc
994-046	511 C-Tec™ Syringe Shields, 10 cc
994-047	511 C-Tec™ Syringe Shields, 20 cc

## 511 DOSE-DRAWING SYRINGE SHIELDS



The 511 Dose Drawing Syringe Shields are constructed with the same featured shielding as the 511 C-Tec™ Syringe Shields. The needle end of the syringe shield has a Tungsten disc that protects the user's hands during the dose drawing procedure.

There are 2 pins in the end disc that secure the shield to the Drawing Station. This allows the user to withdraw a dose using only one hand.

Item #	Description
994-050	511 Dose Drawing Syringe Shield - 5 cc
994-051	511 Dose Drawing Syringe Shield - 10 cc
994-052	511 Dose Drawing Syringe Shield - 20 cc

S

## PET STAINLESS STEEL SYRINGE CARRIER

Lead Lined With Handle

- **Constructed of Stainless Steel Inside and Out**
- **All Lead is Enclosed by Stainless Steel, Not Painted**

The PET Syringe Carrier is designed to store and transport syringes or vials of PET radionuclides. The top, bottom and sides are 1/4" thick (0.64 cm) lead. The ends are 1/2" thick (1.27 cm) lead. This unit is constructed of stainless steel **inside** and **out**, with **ALL** lead enclosed, not painted. The double thickness shielding at the ends provides increased protection during transport of a filled syringe with a syringe shield. The lid opens 180° for easy access. There are four (4) rubber feet attached to the bottom of the carrier.

**Note:** Some Manufacturers just paint the lead.

### Specifications

**Overall Size with Handle:**

10.9" L x 3.4" W x 6.7" H (27.7 x 8.6 x 17 cm)

**Carrier Size:** 10.35" L x 2.9" W x 2.76" H (26.3 x 7.4 x 7 cm)

**Inside Dim:** 9" L x 2" W x 2" H (22.9 x 5.1 x 5.1 cm)

**Material:** Lead Enclosed with Stainless Steel

**Lead Shielding Top, Bottom and Sides:** 1/4" T (0.64 cm)

**Lead Shielding Ends:** 1/2" T (1.3 cm)

**Weight:** 16 lb (7.3 kg)



Item #	Description
994-065	PET Stainless Steel Syringe Carrier

S



# PET & NUC. MEDICINE-WORKSTATIONS, CARTS & PIGS

## SHARPS CONTAINER SHIELD, 1/8" LEAD SHIELDED WITH KEY LOCK



929-150 shown with 929-1502



929-150 shown with 929-1502

The Sharps Container Shield is used in facilities that generate low-energy radiation waste.

The interior of the container is constructed of .063" steel (1.6 mm) and .125" lead (3 mm). The top front access door is spring-loaded and has a magnetic catch to ensure it is securely closed. Specially designed interior shielding around the access door protects the user from the radioactive contents in the container even while open. The convenient swing side opening door with key lock allows easy access to empty the decayed contents in the 3 Gallon Red Plastic Container with Counterbalance Lid. (Item No. 929-1502). Sleek and sturdy, the exterior is constructed of steel, with a textured painted finish.

### Item 929-150 Includes

- (1) Sharps Container Shield
- (1) 3 Gallon Red Plastic Container with Counterbalance Lid (Item No. 929-1502)
- (2) Door Lock keys
- (1) Caution Radioactive Label
- (1) Biohazard Label

### Specifications

**Shielding:** 0.125" Lead (3mm)

**Overall Dimensions:** 15" W x 8.5" D x 19" H (38 x 21.6 x 48.3 cm)

**Door Opening:** 9" W x 3.875" H (22.8 x 9.8 cm)

**Weight:** 83 lb (37.6 kg)

Item #	Description
929-150	Sharps Container Shield, 1/8" Lead & Key Lock

## SHARPSAFETY™ CONTAINERS FOR ITEM 929-150



929-1501



929-1502

SharpSafety™ Sharps containers in clear or red with counterbalance Lid.

### Specifications

**Size:** 3 gallon

**Overall dimensions:** 13.75" W x 6" D x 16.5" H

Item #	Description
929-1501	SharpSafety™ Container, Clear
929-1502	SharpSafety™ Container, Red

S

# PET & NUC. MEDICINE-WORKSTATIONS, CARTS & PIGS

## STORAGE CONTAINER, SHIELDED, 1/8" THICK LEAD AND LOCKABLE



The Lead Shielded Storage Container can be used to store radioactive materials that require lead shielding of 1/8" (0.3 cm) or less. The container is made of .063" steel (1.6 mm) and .125" lead (3 mm) on all sides and door. Convenient swing side opening door with key lock allows easy access to empty decayed contents.

The exterior is constructed of steel, with a textured painted finish.

Item 929-110 Includes

- (1) Storage Container
- (2) Door Lock keys
- (1) Biohazard Label

### Specifications

**Material:** 16ga Steel and 1/8" (0.3 cm) thick lead

**Outside Dimension:** 11.8" x 11.8" x 11.8" (30 x 30 x 30 cm)

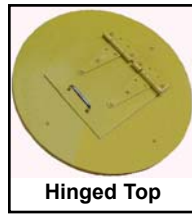
**Finish:** Durable tan textured polyurethane enamel paint

**Weight:** 65 lb (29.48 kg)

Item #	Description
929-110	Storage Container, Shielded, 1/8" Thick Lead & Lockable

S

## LEAD-LINED DRUMS (STEEL)



Hinged Top

- Free - wheeling mobility using dolly
- Completely shielded with 1/8" or 1/4" lead
- Hinged or Solid top
- Available in 15, 30 or 55 gallon sizes

Add convenience and total reliability to your radioactive waste disposal. This 1/8" or 1/4" lead shielded drum provides safe handling and storage of radioactive waste material. This lead-lined steel drum is lined with 1/8" or 1/4" of overlapping lead sheets to provide shielding in all directions. The removable lead-lined overlapping top is available with a hinged or solid top. The hinged top opens over an 8" x 8" access hole in the drum top. The outside of the drum is painted yellow. Two (2) drums can be used for a rotation system, one for current use and one for decaying material.

### Optional Accessories

**Items 929-518, 929-538 and 929-558:** For ease of moving an optional 4-wheel dolly is available for each size of lead-lined drum.

**Items 929-519, 929-539 and 929-559:** Also available are optional size specific poly bags for lining the drums for ease of waste removal.

### Specifications

**Lead Walls:** 1/8" thick or 1/4" thick

**Finish:** Yellow

**Inner Dimensions (15 gal):** 12 7/8" diameter x 22 1/2" tall  
(56.85 kg): 32.7 cm diameter x 57.15 cm tall

**Inner Dimensions (30 gal):** 17 1/2" diameter x 26 7/16" tall  
(113.7 kg): 44.45 cm diameter x 67.15 cm tall

**Inner Dimensions (55 gal):** 21 3/8" diameter x 32 5/8" tall  
(208.45 kg): 54.29 cm diameter x 82.87 cm tall

### Weights (empty):

929-510 & 929-516: Approximately 85 lbs (38.55 kg)

929-511 & 929-517: Approximately 150 lbs (68.03 kg)

929-530 & 929-536: Approximately 159 lbs (72.12 kg)

929-531 & 929-537: Approximately 320 lbs (145.15 kg)

929-550 & 929-556: Approximately 200 lbs (90.71 kg)

929-551 & 929-557: Approximately 375 lbs (170. kg)

Description	15 Gallon	30 Gallon	55 Gallon
1/8" Pb Hinged Top	929-510	929-530	929-550
1/4" Pb Hinged Top	929-511	929-531	929-551
1/8" Pb Solid Top	929-516	929-536	929-556
1/4" Pb Solid Top	929-517	929-537	929-557
Dolly	929-518	929-538	929-558
Poly Bag	929-519	929-539	929-559

S

# PET & NUC. MEDICINE-WORKSTATIONS, CARTS & PIGS

## MULTI-MODALITY MARKERS



- No tissue indentation
- No artifacts
- Clear, accurate reference point identification
- Visible in all modalities
- Does not melt or leak
- Size and shape are ideal for small area
- Disposable

The Multi-Modality Markers provide a clear and accurate reference point on any type of scan. Made of a hydrogel component with a medical grade adhesive, they appear as a bright object on CT, MRI, nuclear medicine, PET and x-Ray scans and can be seen on all MRI sequences. These versatile markers attach securely and detach easily. Our Radiology/Radiation Therapy Marker has an inner center hole that permits hypodermic needle passage, while our Nuclear Med/PET Marker has a well-used for injecting a radionuclide with a conventional hypodermic needle.

**Item 462-029** Multi-Modality Markers, Radiation/Radiology have a 2 mm inner center hole for hypodermic needle passage.

**Item 462-030** MultiModality Markers for NucMed/PET have a Liquid-containing center well for injection of short-life radionuclide.

**Item 462-031** MultiModality Markers for MRI/CT are a 15mm disc shaped marker.

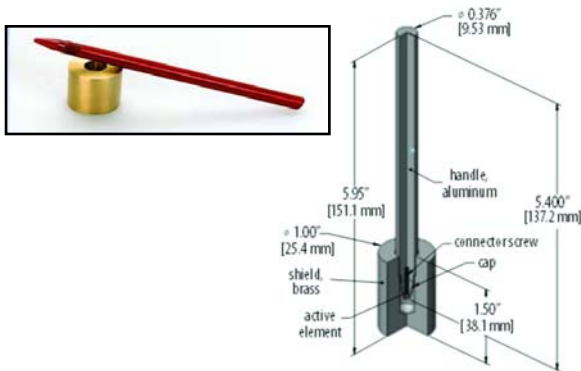
### Specifications

- 15mm outer diameter
- 3.5mm thick
- 50 markers per jar

Item #	Description	Quantity
462-029	Multi-Modality Markers, Radiation/Radiology	50
462-030	Multi-Modality Markers, Nuc Med/PET	50
462-031	Multi-Modality Markers, MRI/CT	50

## PEN POINT MARKERS

Written Verification of Radioactive Materials License is Required When Placing an Order



The Pen Point Marker is used to mark a point or region of interest during a camera study. The Pen Point Marker contains Co-57 in a resin matrix at the end of a 5.4" (13.7 cm) anodized aluminum rod. The pen-shaped rod screws into a brass cap which shields the active point. The Pen Point Marker is used in tracing the outlines of anatomical features on a patient. The trace appears almost instantly on the camera display. Contained activity is supplied as a nominal value  $\pm 15\%$ .

Item #	Nuclide	Activity ( $\mu\text{Ci}$ )	Activity (MBq)
680-260	Co-57	100	3.7
680-265	Co-57	200	7.4
680-268	Co-57	250	9.25

## FEATHERLITE™ FLOOD SOURCE

NRC Radioactive Materials License Required



- FeatherLite™ Co-57 flood sources consist of cobalt chloride uniformly dispersed onto a thin substrate which is then placed in an ABS encapsulation and ultrasonically welded.
- FeatherLite™ is even easier to handle saving strain on your back.
- Manufactured according to the following specifications: CV ≤ 1.0% INU ≤ 3.6%.
- Many circular and rectangular flood sources are in stock and ready for fast delivery.
- Each source is carefully measured for activity and analyzed to ensure a homogenous distribution with a standard deviation of less than 1%.
- All sources are shipped with a certificate of calibration that highlights specifications of the flood source.
- Flood Sources are available with or without a Lead Lined Case.
- Lead Line Case is an additional cost. If a new case is not needed the source will ship in a 6-sided lead-lined cardboard box.

- “Large Field of View” Sources marked with an \* are shipped with the new ProKase or Pb Shipper.
- A Return Kit is provided at No Charge for your spent source “One for One”. Spent sources must be returned within 6 months of receipt of the new source.

Item	FeatherLite™ Co-57 Flood Source
680-500	*16.5" x 24", For Millenium MPR, VG & MG, GE Hawkeye, Infinia, Myosite, Philips Argus, Forte, Skylight, Symbia & Siemens E-Cam, Optima NM/CT 640 <b>Specify Activity:</b> 5 mCi, 10 mCi, 15 mCi, or 20 mCi
680-505	*14" x 18", For SMV-DST, Multispect 3, Millenium MPS & DSTi/Dsi <b>Specify Activity:</b> 5 mCi, 10 mCi, 15 mCi, or 20 mCi
680-510	10" x 16", For CardioMD, Siemens C-Cam, GE Ventri & GE Optima <b>Specify Activity:</b> 5 mCi, 7.5 mCi or 10 mCi
680-515	10" x 10", For Digirad Cardius, Dilon & GVI Clear Vision <b>Specify Activity:</b> 5 mCi or 10 mCi
680-520	*16.6" x 13.2", For Digirad Ergo <b>Activity:</b> 10 mCi
680-525	*18.5" Round, For GE Starcam XCT, ACT, Adac ARC 3000, Cirrus, Siemens Orbiter <b>Specify Activity:</b> 5 mCi or 10 mCi
680-530	10" x 10", For GE Discovery GE530c, NM/CT570 <b>Activity:</b> 20 mCi
<b>ProKase or Lead-Lined Case is additional</b>	

## PERFLEXION™ FLEXIBLE CO-57 FLOOD SOURCES

NRC Radioactive Materials License Required



- Perflexion flood source eliminates bulk and weight with its unique flexible design and tungsten composite WolfGuard™ shield.
- Perflexion has superior source uniformity, low impurities, and excellent durability.
- Perflexion is the world's only flexible flood source.
- Perflexion lays flat for calibration use, but rolls into a compact cylinder for storage.
- Perflexion provides the most convenient, ergonomic flood source and case with optimum shielding protection.

- Perflexion can be folded, bent, crushed and pulled without the material deforming, damaging, creasing, cracking, flaking or tearing over time.
- Perflexion polymer “memory” ensures that the source will return to flatness even after being stored in a rolled configuration.
- Lightest weight—weighs less than 29 lbs including the tungsten shield and hard case.
- Smallest form factor—source rolls to fit in a 6"x6"x22" tube for convenient storage
- Best shielding—5-10x better than lead cases
- A Return Kit is provided at No Charge for your spent source “One for One”. Spent sources must be returned within 6 months of receipt of the new source.

Item	Perflexion Co-57 Flood Source
680-540	9" x 9" Square, forGVI Clear Vision, <b>Activity:</b> 10 mCi
680-545	10.5" x 16", For CardioMD, Siemens C-Cam, GE Ventri & GE Optima <b>Specify Activity:</b> 5 mCi, 7.5 mCi or 10 mCi
680-550	16.5" x 24", For Millenium MPR, VG & MG, GE Hawkeye, Infinia, Myosite, Philips Argus, Forte, Skylight, Symbia & Siemens E-Cam, <b>Specify Activity:</b> 5 mCi, 10 mCi, 15 mCi , or 20 mCi
680-555	18.5" Round, For GE Starcam XCT, ACT, Adac ARC 3000, Cirrus, Siemens Orbiter, <b>Specify Activity:</b> 5 mCi, 10 mCi, 15 mCi, or 20 mCi
<b>Lead-Lined Case is additional</b>	

# PET & NUC. MEDICINE-WORKSTATIONS, CARTS & PIGS

## C-THRU™ FLOOD SOURCES

NRC Radioactive Materials License Required



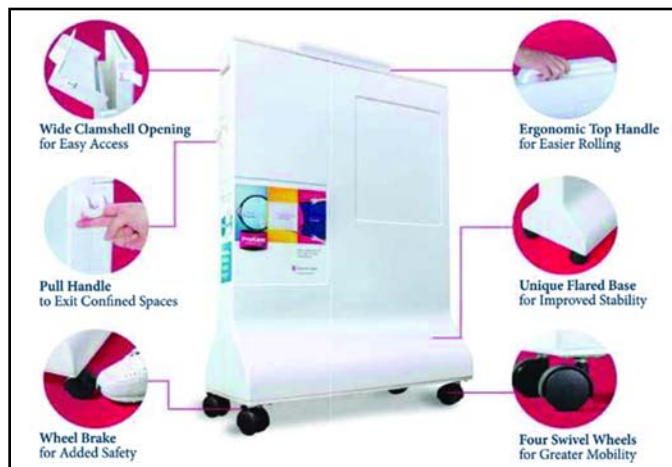
- C-Thru source holder is made of transparent, durable plastic.
- The radioactive area is clearly visible, enabling the C-Thru source to be easily positioned on the camera head.
- The manufacturing process ensures that Nuclear Medicine customers will receive the highest quality flood source available to perform quality control on gamma cameras.
- Flood sources are scanned using a gamma camera. The camera images each flood source for parameters including differential and integral non-uniformity in accordance with ANSI N42.27.
- Visual checks are performed to detect any distortions of the active element and the outside capsule. A leak test is performed on all sources prior to shipment.

- Flood Sources are available with or without a Lead Lined Case.
- Lead Lined Case is sold separately. If a new case is not needed the source will ship in a 6-sided lead-lined cardboard box.
- “Large Field of View” Sources marked with an \* are shipped with the new ProKase or Pb Shipper.
- A Return Kit is provided at No Charge for your spent source “One for One”. Spent sources must be returned within 6 months of receipt of the new source.

Item	C-Thru Co-57 Flood Source
680-570	8.9" x 8.9" Square, For Digirad Cardius, Dilon & GVI Clear Vision <b>Activity:</b> 10 mCi
680-575	*10" x 16", For CardioMD, Siemens C-Cam, GE Ventri & GE Optima <b>Specify Activity:</b> 10 mCi, 15 mCi or 20 mCi
680-580	*16.5" x 24.4", For Millenium MPR, VG & MG, GE Hawkeye, Infinia, Myosite, Philips Argus, Forte, Skylight, Symbia & Siemens E-Cam, <b>Specify Activity:</b> 5 mCi, 10 mCi, 15 mCi, or 20 mCi
680-585	*18.5" Round, For GE Starcam XCT, ACT, Adac ARC 3000, Cirrus, Siemens Orbiter, <b>Specify Activity:</b> 5 mCi, 10 mCi, 15 mCi, or 20 mCi <b>ProKase or Lead-Lined Case is additional</b>

## PROKASE

For Large Field of View Featherlite® and C-Thru® Flood Sources



- Wide clamshell opening for easier access to your Flood Source
- Unique flared base for improved stability
- Ergonomic top handle for easier rolling
- 4 swivel wheels for greater mobility
- Wheel brake for added safety

## PB SHIPPER



Save time and money with the “hassle-free” Pb Shipper. With a lead-lined sleeve covering all 6 sides, the new Pb Shipper is designed to qualify as an UN2910 “Excepted Package” when the surface reading for your Co-57 flood source  $\leq 0.5\text{mRem/hr}$ .

Pb Shipper is the convenient and effective alternative for returning and receiving your flood source when a new case is not needed.